

TABLE OF CONTENTS

Parts

Manual

VMC 6030 MODEL



COLUMN ASSEMBLY	2
BASE, TABLE & SADDLE	4
10K RPM HEAD ASSEMBLY	6
X AXIS SCALE ASSEMBLY	8
Y AXIS SCALE ASSEMBLY	9
DRAWBAR ASSEMBLY	10
ORIENTATION BRIDGE ASSEMBLY	12
10K IDLER ASSEMBLY	14
WAY LUBE ASSEMBLY	15
ATC GENEVA DRIVE ASSEMBLY	16
ATC SERVO DRIVE ASSEMBLY	18
7500 RPM SPINDLE ASSEMBLY	20
10K RPM SPINDLE ASSEMBLY	21
COOLANT THROUGH SPINDLE	22
CNC CABINET ASSEMBLY	23
CARD CAGE ASSEMBLY	24
POWER JUNCTION CABINET ASSEMBLY	25
CHILLER CABINET ASSEMBLY	26
88HS PENDANT ASSEMBLY	27
MULTI PROCESSOR PENDANT	28
FRONT DOOR ASSEMBLY	29
WAY COVER ASSEMBLY	30
SHEETMETAL HOUSING	31
7500 RPM COOLANT TANK	32
7500 RPM COOLANT THROUGH TANK ASSEMBLY	33
10K RPM COOLANT TANK	34
10K RPM COOLANT THROUGH TANK	35
DUAL ARM TOOL CHANGER	36



This reference covers the following Fadal products:

Model VMC 6030

Corporate Office..... voice (818) 407-1400 fax (818) 407-0020
Service / Parts voice (818) 727-2100 fax (818) 407-1004
Programming Support voice (818) 727-2100 fax (818) 407-0061

support@fadal.com
20701 Plummer Street, Chatsworth, California 91311 USA

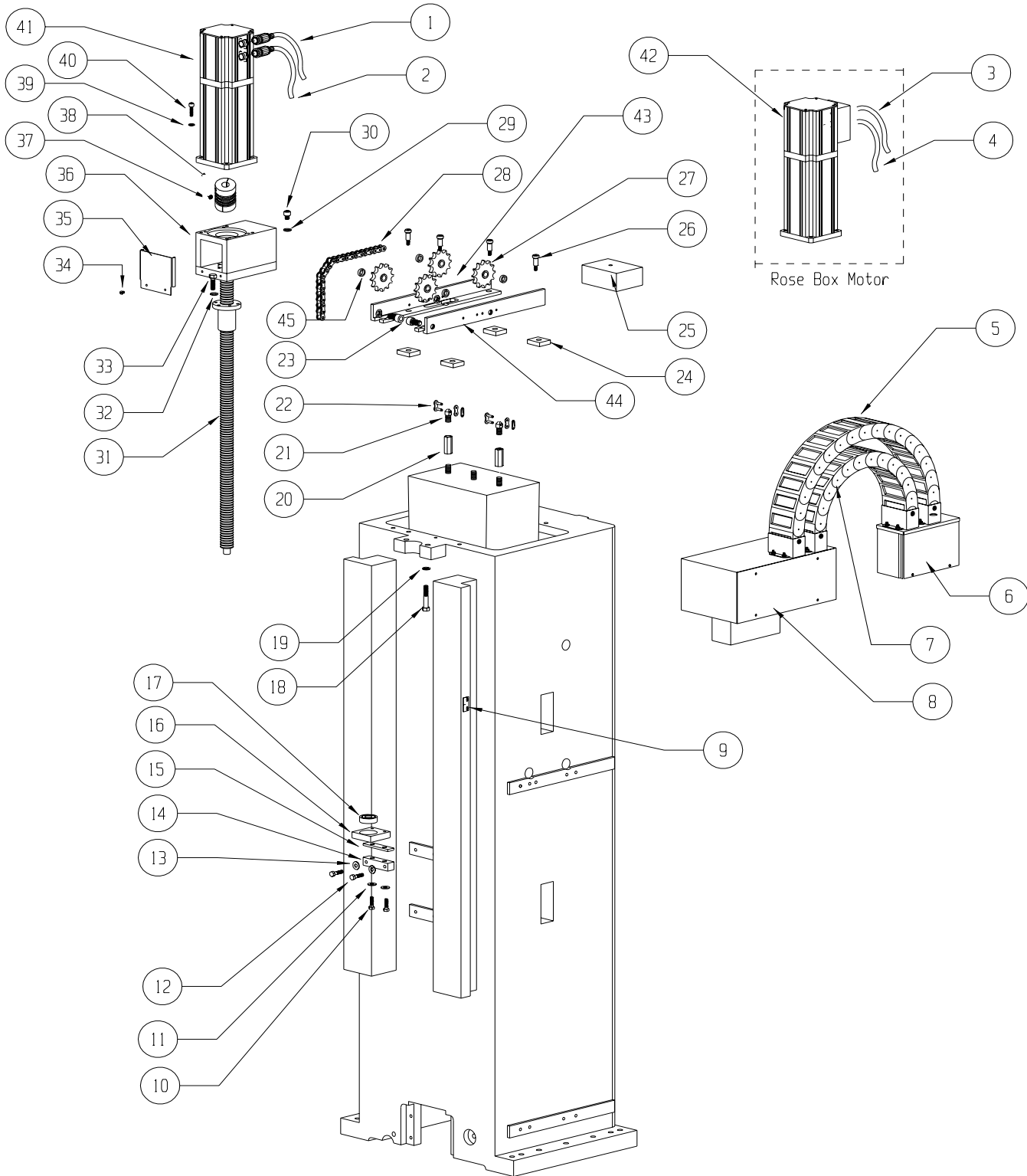
The content of this manual has been reviewed for accuracy and is applicable to current Fadal hardware and software products as described herein. Differences may exist and we cannot guarantee that they are completely covered in this document. The information in this document is reviewed regularly and any necessary changes will be incorporated in the next revision. We welcome any suggestions for improvement.

Material is subject to change without notice.

This manual is for the exclusive use of Fadal Customers and Distributors. The reproduction, transmission or use of this document or its contents is not permitted without the expressed written permission of Fadal Machining Centers. All rights, including rights created by patent grant or registration of a utility, model or design, are reserved.

© Copyright 2001 Fadal Machining Centers.

COLUMN ASSEMBLY

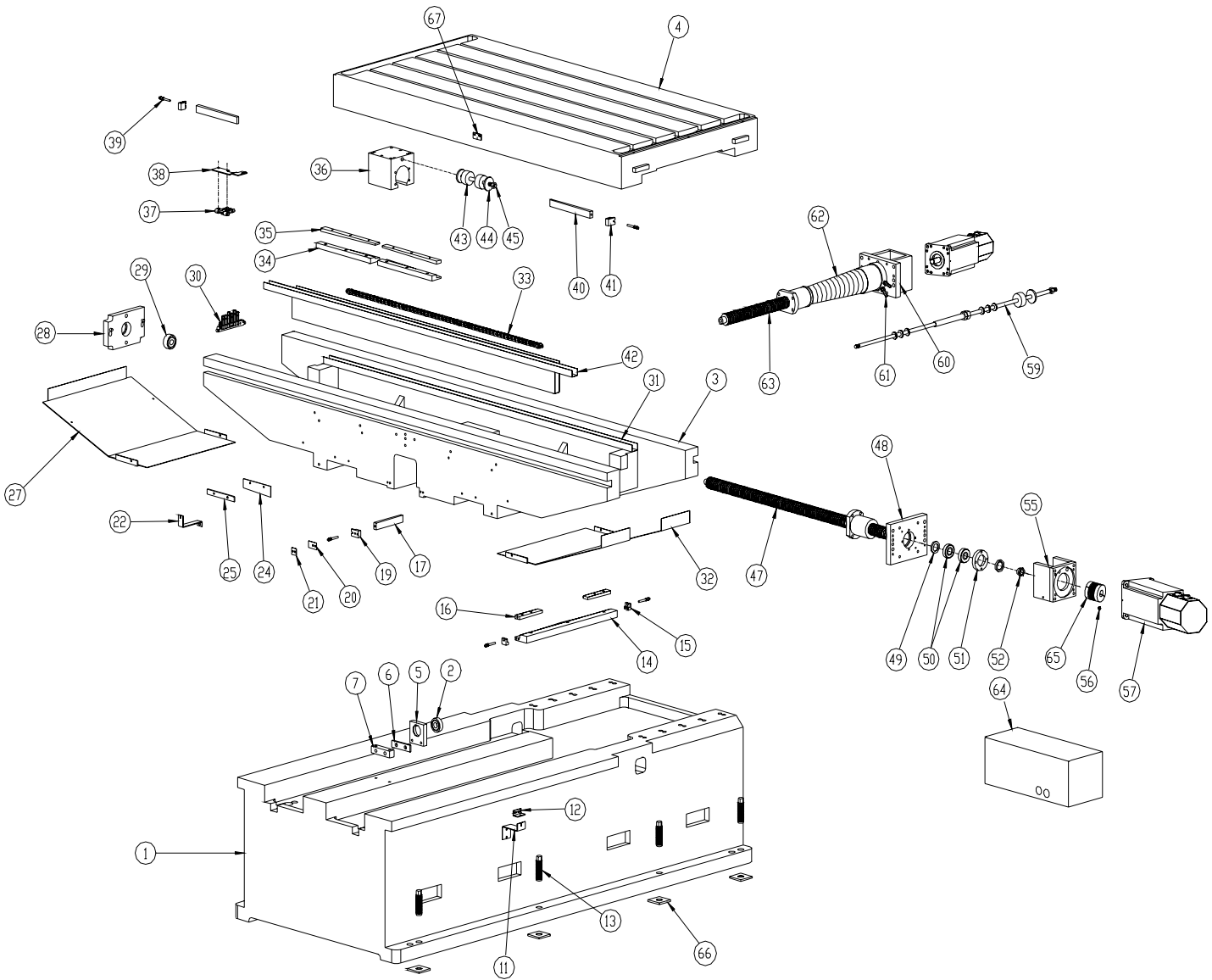


COLUMN ASSEMBLY

COLUMN ASSEMBLY

	PART #		PART #		PART #		PART #
1	WIR-0612	13	HDW-0049	25	CWT-0002	37	MTR-0071
2	WIR-0611	14	BLS-0052	26	HDW-0600	38	MTR-0189
3	WIR-0572	15	BLS-0143	27	PUL-0034	39	HDW-0280
4	WIR-0573	16	BLS-0053	28	HDW-0207	40	HDW-0779
5	CVR-0006	17	BRG-0021	29	HDW-0451	41	MTR-0142
6	STM-0067	18	HDW-0655	30	HDW-0465	42	MTR-0126
7	CVR-0005	19	HDW-0451	31	BLS-0021	43	CWT-0005
8	STM-0172	20	HDW-0355	32	HDW-0451	44	CWT-0007
9	STM-0044	21	CWT-0001	33	HDW-0558	45	CWT-0009
10	HDW-0569	22	HDW-0204	34	HDW-0347		
11	HDW-0049	23	HDW-0777	35	STM-0043		
12	HDW-0313	24	HDW-0363	36	BLS-0022		

BASE , TABLE & SADDLE



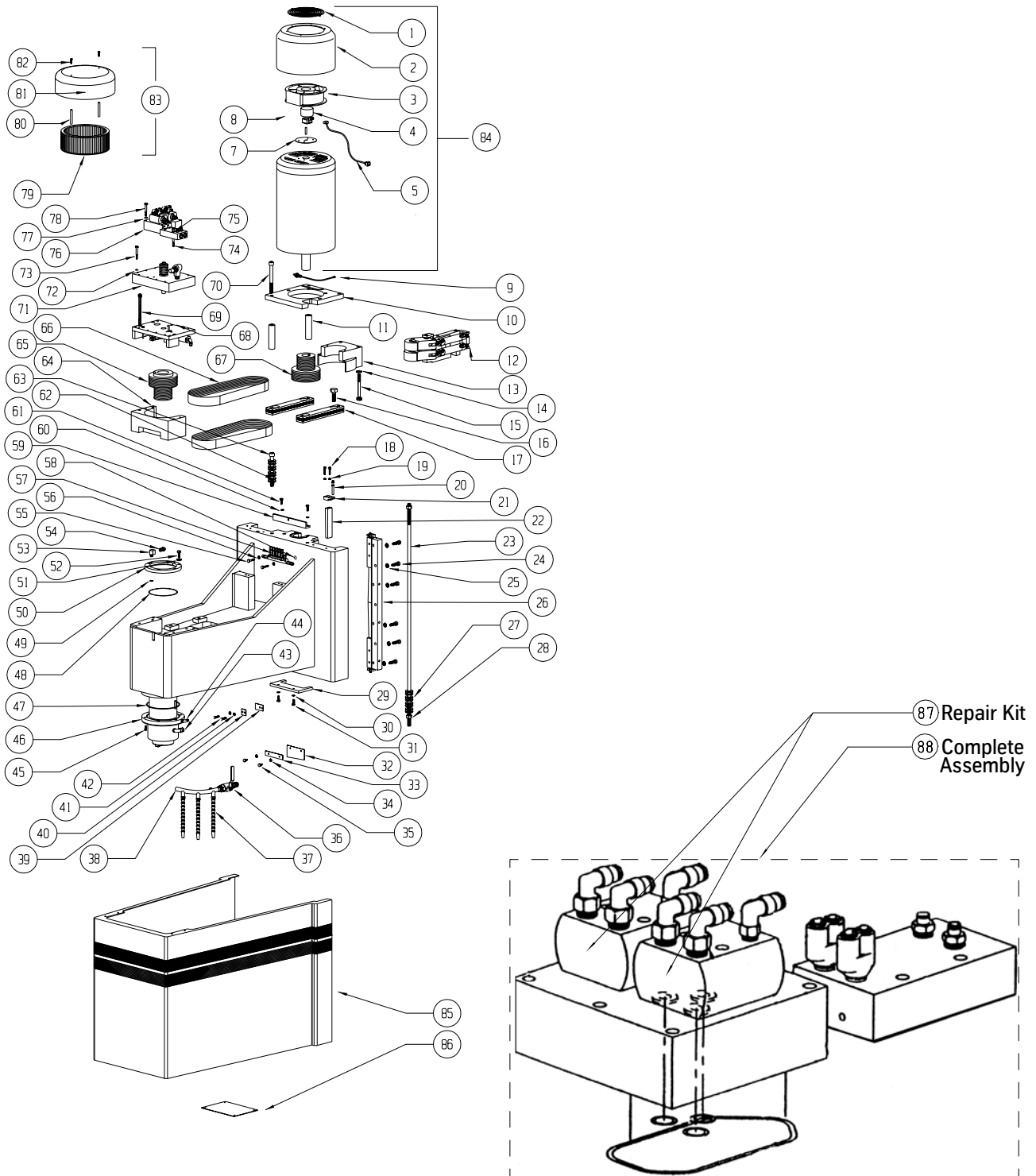
BASE , TABLE & SADDLE

BASE, TABLE & SADDLE

	PART #		PART #		PART #
1	BAS-0015	27	STM-0512	53	MTR-0183
3	SDL-0040	28	BLS-0128	54	
4	SDL-0018	29	BRG-0022	55	BLS-0207
5	BLS-0021	30	LUB-0043	56	HDW-0419
6	BLS-0143	31	STM-0173	57	MTR-0142
7	BLS-0052	32	STM-0511	58	
8		33	CVR-0040	59	BLS-0066
9		34	GIB-0016	60	BLS-0211
10		35	GIB-0015*	61	PLM-0196
11	STM-0113	36	BLS-0054	62	CVR-0001
12	STM-0047	37	LUB-0044	63	BLS-0182
13	HDW-0374	38	STM-0293	64	STM-0609
14	GIB-0024	39	GIB-0013	65	MTR-0189
15	GIB-0012	40	GIB-0000*	66	SHP-0002
16	GIB-0019*	41	GIB-0011	67	STM-0044
17	GIB-0003	42	STM-0523		
18		43	HDW-0375		
19	GIB-0010	44	HDW-0859		
20	HDW-0355	45	HDW-0566		
21	STM-0042	46			
22	STM-0046	47	BLS-0179		
23		48	BLS-0210		
24	HDW-0377	49	HDW-0213		
25	STM-0171	50	BRG-0039		
26		51	BLS-0039		
		52	HDW-0332		

*Specify gib size when ordering.

10K RPM HEAD ASSEMBLY



10K RPM HEAD ASSEMBLY

10K RPM HEAD ASSEMBLY

	PART #		PART #		PART #
1	HDW-0851	30	HDW-0279	59	STM-0142
5	WIR-0168	34	HDW-0279	63	HDW-0462
		35	HDW-0319	64	BEL-0014
7	STM-0148	36	VLV-0017	65	PUL-0018
8	ENC-0007	37	PLM-0016	66	BEL-0003
9	HDW-0370	38	CNT-0039	67	PUL-0019
11	MTR-0149	40	STM-0042	69	HDW-0290
12	IDL-0003	41	HDW-0279	70	HDW-0284
13	BEL-0015	42	HDW-0294	71	DRB-0000
14	HDW-0451	43	PLM-0112	72	HDW-0279
15	HDW-0311	44	PLM-0034	73	HDW-0320
16	HDW-0283	45	HDW-0470	74	HDW-0321 (HT)
17	MTR-0068	46	SPN-0008 ⁽¹⁾	75	HDW-0279 (HT)
18	HDW-0294	47	HDW-0181	76	HYD-0017 ⁽²⁾ (HT)
19	HDW-0279	48	HDW-0148	77	HDW-0279 (HT)
20	GIB-0013	49	HDW-0177	78	HDW-0320 (HT)
21	GIB-0010	50	SPN-0042	79	MTR-0127
22	GIB-0001*	51	HDW-0275	80	SVT-0108
23	BLS-0196	52	HDW-0568	81	STM-0467
24	HDW-0569	53	PLM-0075	82	HDW-0597
25	HDW-0280	54	PLM-0088	83	MTR-0128
26	GIB-0008*	55	HDW-0576	84	MTR-0047 ⁽³⁾
27	HDW-0194	56	HDW-0279	85	STM-0058
28	HDW-0543	57	LUB-0045	86	STM-0064
29	CVR-0048	58	HDW-0047	87	HYD-0018
				88	HYD-0017

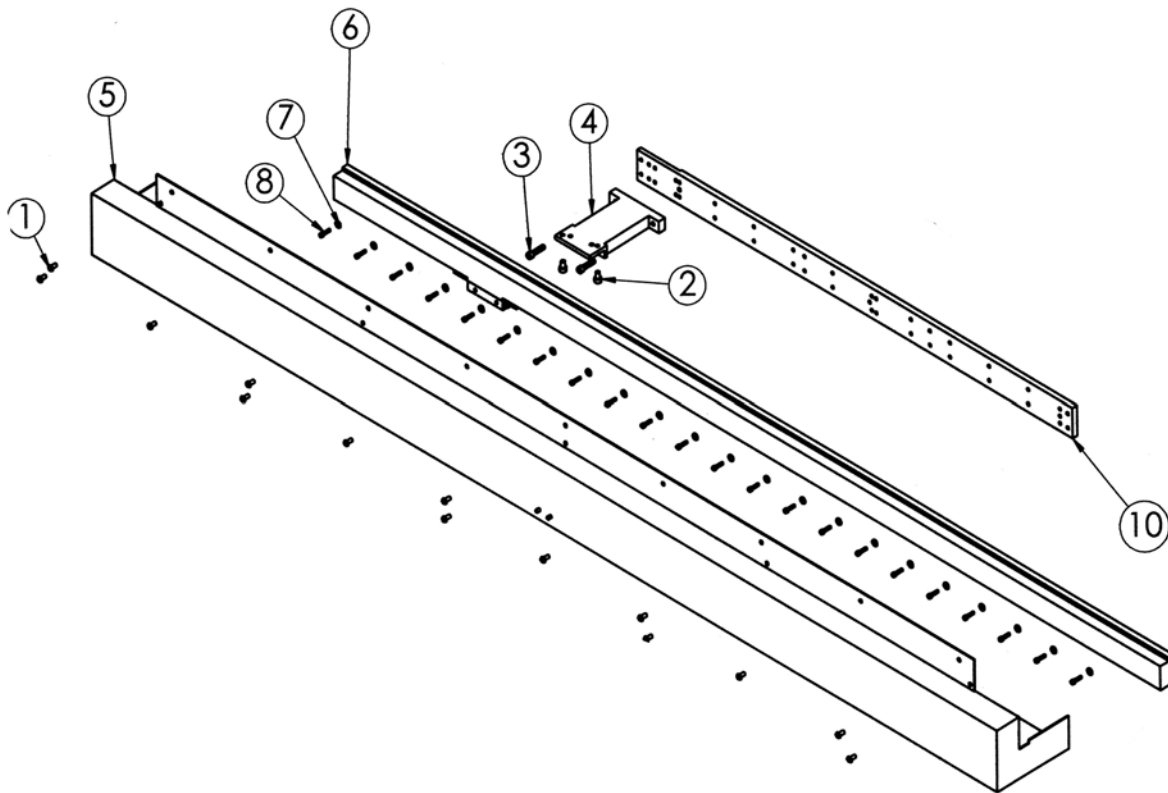
* Specify gib size when ordering.

⁽¹⁾SPN-0008 INCLUDES: HDW-0181, HDW-0177, HDW-0148, PUL-0018

⁽²⁾HYD-0017 REPLACEMENT PART HYD-0018

⁽³⁾MTR-0047 INCLUDES: PUL-0019

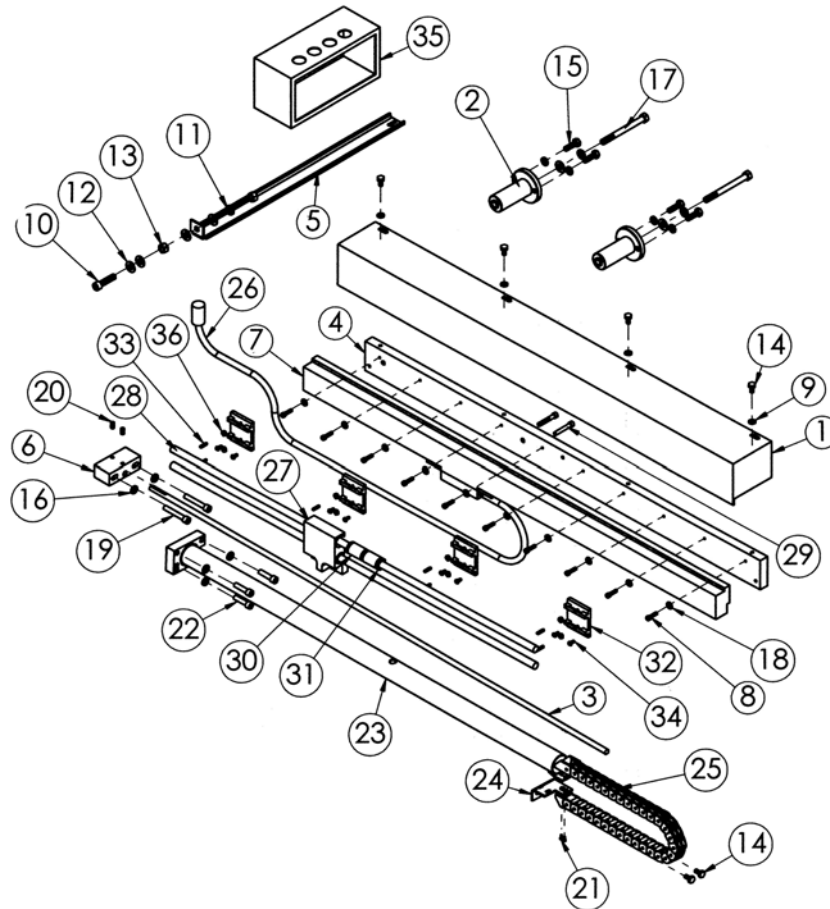
X AXIS SCALE ASSEMBLY



X AXIS SCALE ASSEMBLY

	PART #		PART #
1	HDW-0346	6	SCL-0027
2	HDW-0090	7	HDW-0449
3	HDW-0295	8	HDW-0303
4	SCL-0048		
5	STM-0183	10	SCL-0052

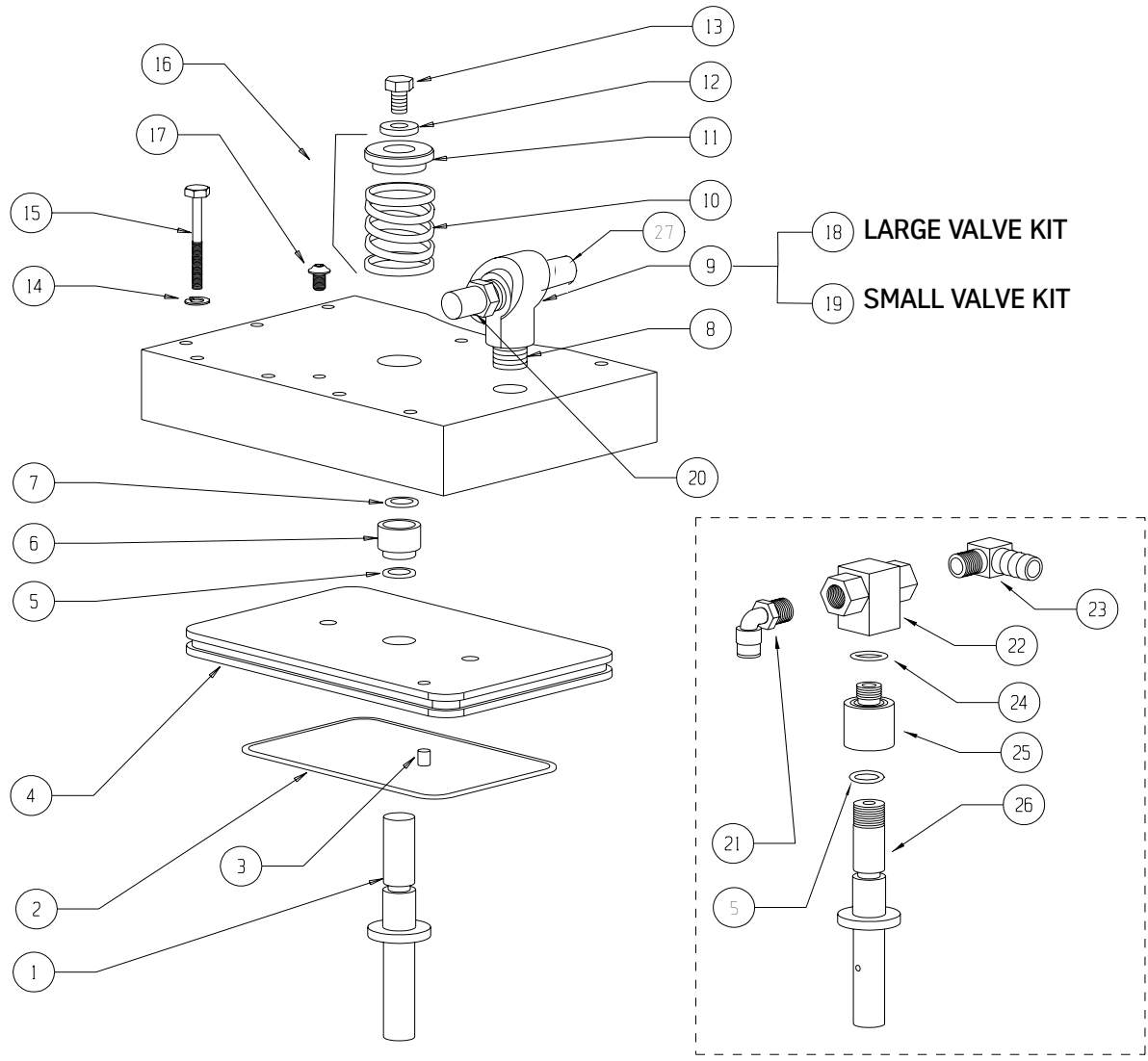
Y AXIS SCALE ASSEMBLY



Y AXIS SCALE ASSEMBLY

	PART #		PART #		PART #
1	STM-0180	13	HDW-0333	25	CVR-0135
2	SCL-0043	14	HDW-0319	26	SCL-0029
3	SCL-0047	15	HDW-0314	27	SCL-0078
4	SCL-0038	16	HDW-0281	28	SCL-0066
5	STM-0184	17	HDW-0572	29	HDW-0297
6	SCL-0045	18	HDW-0449	30	BRG-0121
7	SCL-0001	19	HDW-0484	31	HDW-0759
8	HDW-0303	20	HDW-0408	32	SCL-0076
9	HDW-0279	21	HDW-0308	33	HDW-0430
10	HDW-0313	22	HDW-0483	34	HDW-0383
11	HDW-0280	23	SCL-0116	35	STM-0179
12	HDW-0452	24	CVR-0136	36	HDW-0808

DRAWBAR ASSEMBLY



Non-Coolant Thru Assembly DRB-0000

Coolant Thru Assembly DRB-0001

DRAWBAR ASSEMBLY

	PART #		PART #		PART #		PART #
1	DRB-0007	8	PLM-0117	15	HDW-0320	22	VLV-0021
2	HDW-0178	9	VLV-0031	16	HDW-0197	23	PLM-0105
3	ELE-0147	10	PLM-0117	17	HDW-0347	24	HDW-0150
4	DRB-0009	11	DRB-0017	18	VLV-0032	25	CNT-0046
5	HDW-0177	12	HDW-0048	19	VLV-0033	26	DRB-0008
6	DRB-0023	13	HDW-0571	20	PLM-0083	27	PLM-0030
7	HDW-0917	14	HDW-0279	21	PLM-0037		

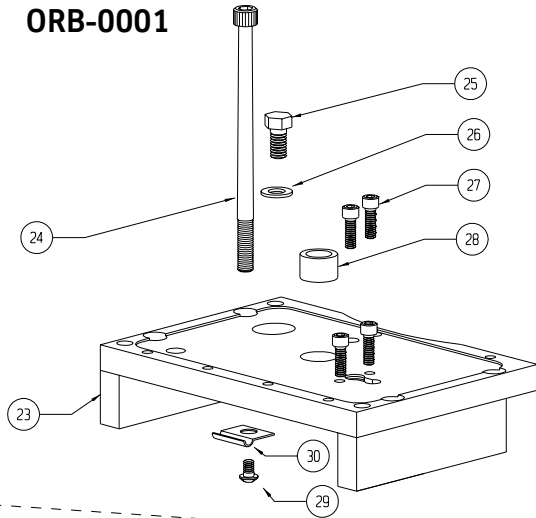


This page intentionally left blank.

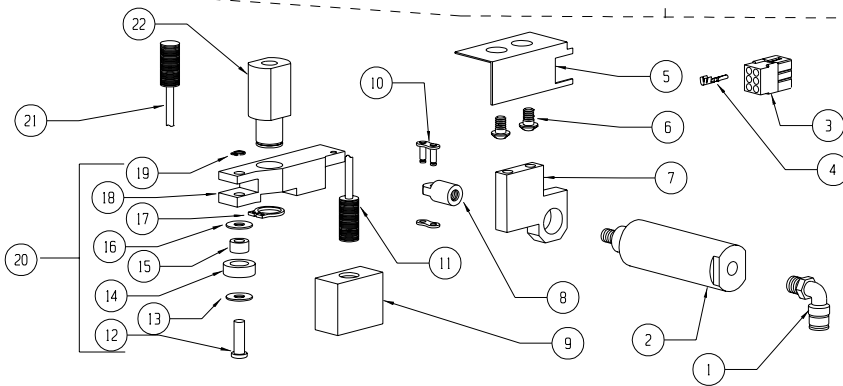
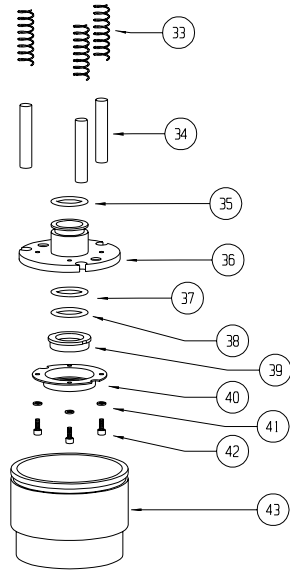
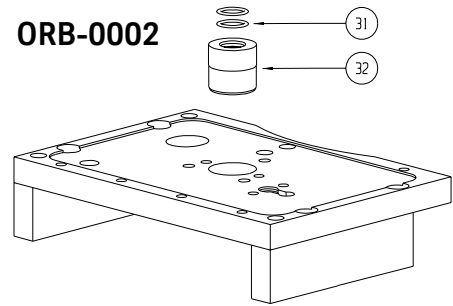


ORIENTATION BRIDGE ASSEMBLY

ORB-0001



ORB-0002



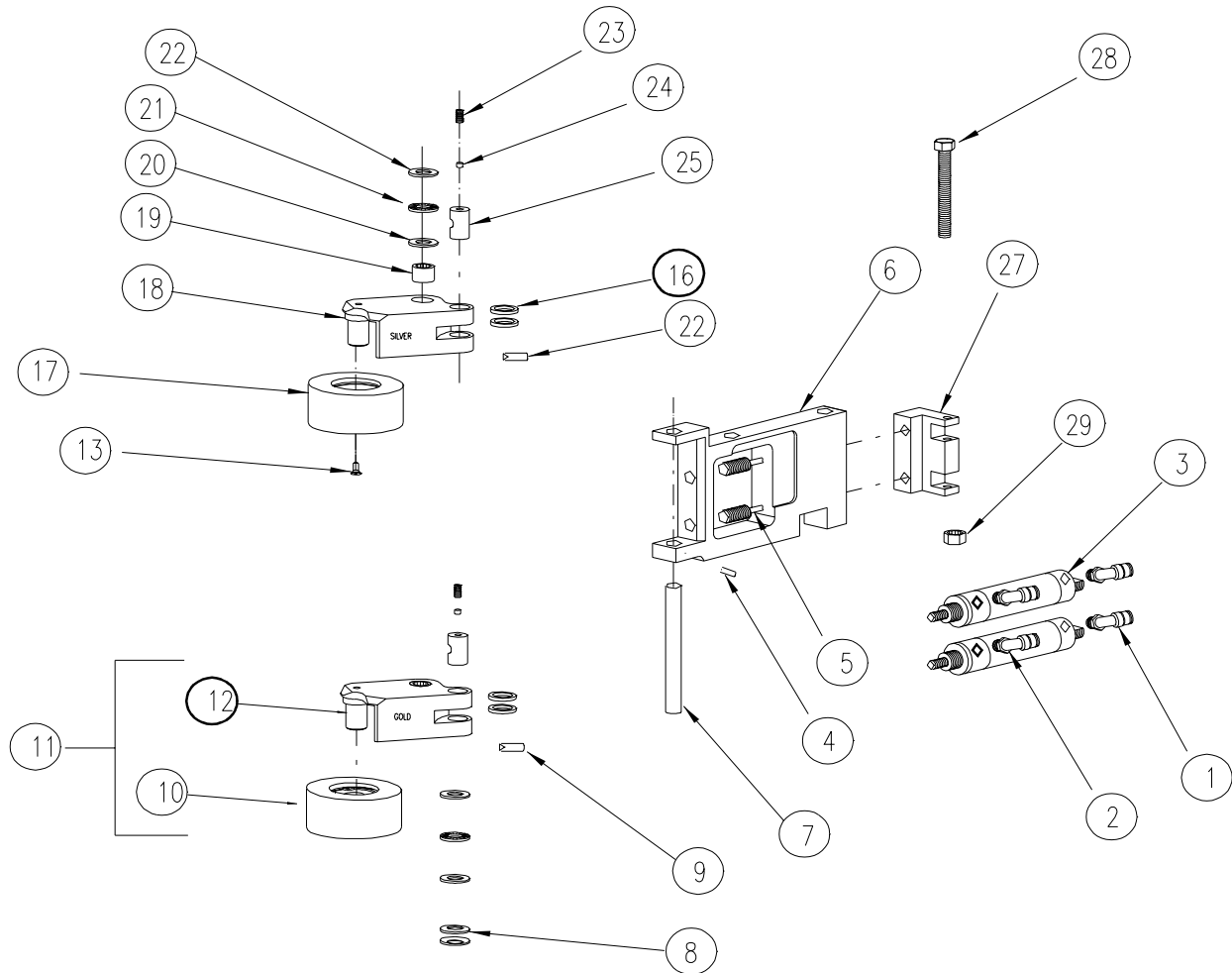
COMMON TO BOTH VERSIONS

ORIENTATION BRIDGE ASSEMBLY

ORIENTATION BRIDGE ASSEMBLY

	PART #		PART #		PART #
1	PLM-0034	14	ORB-0009	30	LUB-0077
2	CYL-0007	15	BRG-0014		LUB-0078
3	WIR-0051	16	HDW-0515	31	HDW-0150
4	WIR-0043 (16 AWG)	17	HDW-0725	32	CNT-0042
	WIR-0044 (16 AWG)	18	ORB-0031	33	HDW-0257
	WIR-0544 (22 AWG)	19	HDW-0726	34	HDW-0326
	WIR-0056 (22 AWG)	20	ORB-0004	35	HDW-0156
5	STM-0596	21	ELE-0145	36	CNT-0041
6	HDW-0347	22	ORB-0013	37	HDW-0155
7	ORB-0030	23	ORB-0008	38	HDW-0156
8	ORB-0011	24	HDW-0285	39	CNT-0033
9	ORB-0014	25	HDW-0571	40	CNT-0045
10	HDW-0209	26	HDW-0048	41	HDW-0453
11	ELE-0145	27	HDW-0298	42	HDW-0308
12	ORB-0007	28	BRG-0008	43	STM-0158
13	HDW-0515	29	HDW-0349		

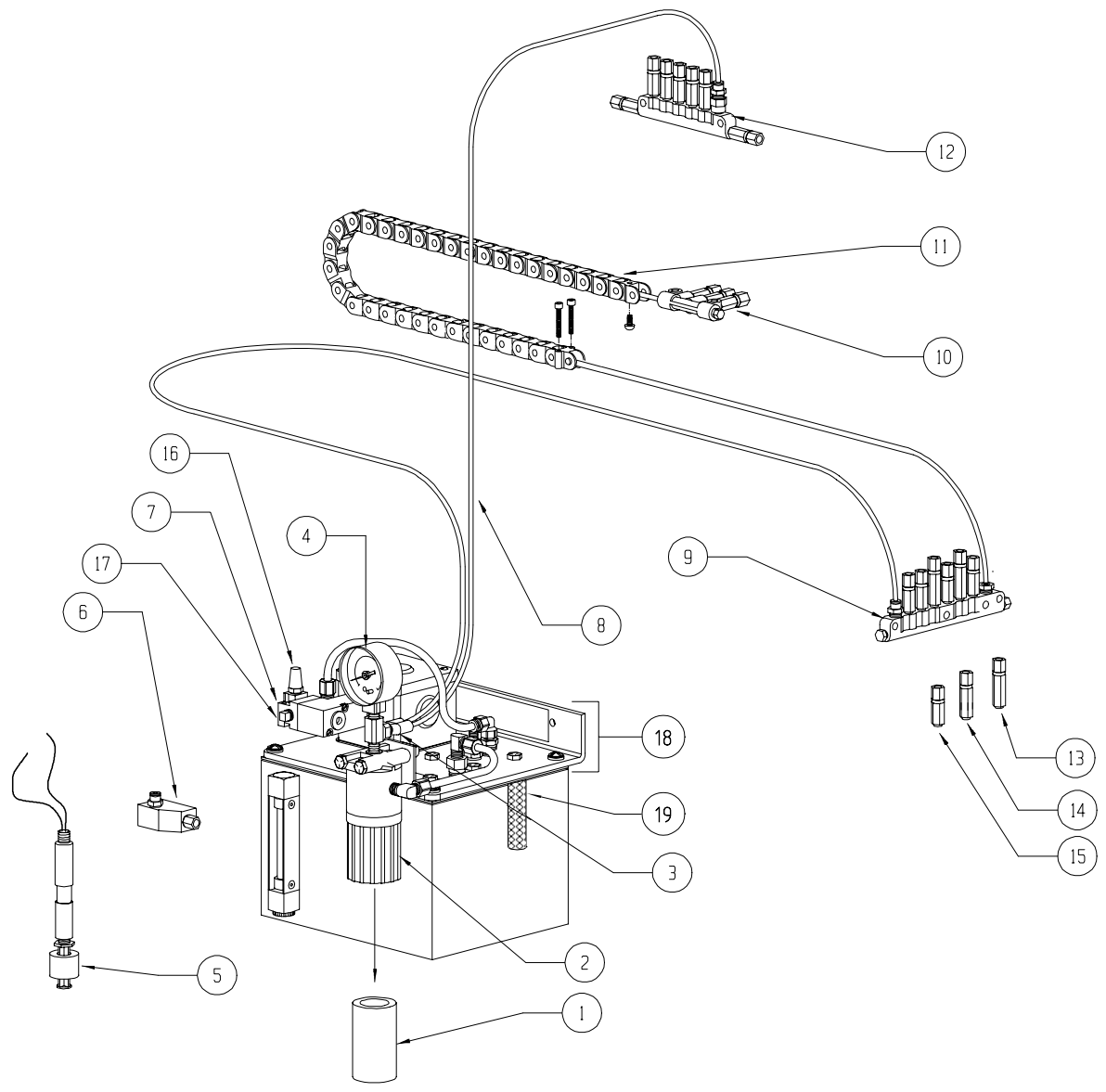
10K IDLER ASSEMBLY



10K IDLER ASSEMBLY

	PART #		PART #		PART #
1	PLM-0036	11	IDL-0000	21	BRG-0015
2	PLM-0034	12	IDL-0004	22	BRG-0016
3	CYL-0006	13	HDW-0605	23	HDW-0412
4	HDW-0612	14		24	IDL-0010
5	ELE-0145	15		25	IDL-0013
6	IDL-0011	16	HDW-0277	26	
7	IDL-0006	17	IDL-0017	27	IDL-0008
8		18	IDL-0015	28	HDW-0579
9	ELE-0147	19	BRG-0017	29	HDW-0643
10	IDL-0007	20	BRG-0016		

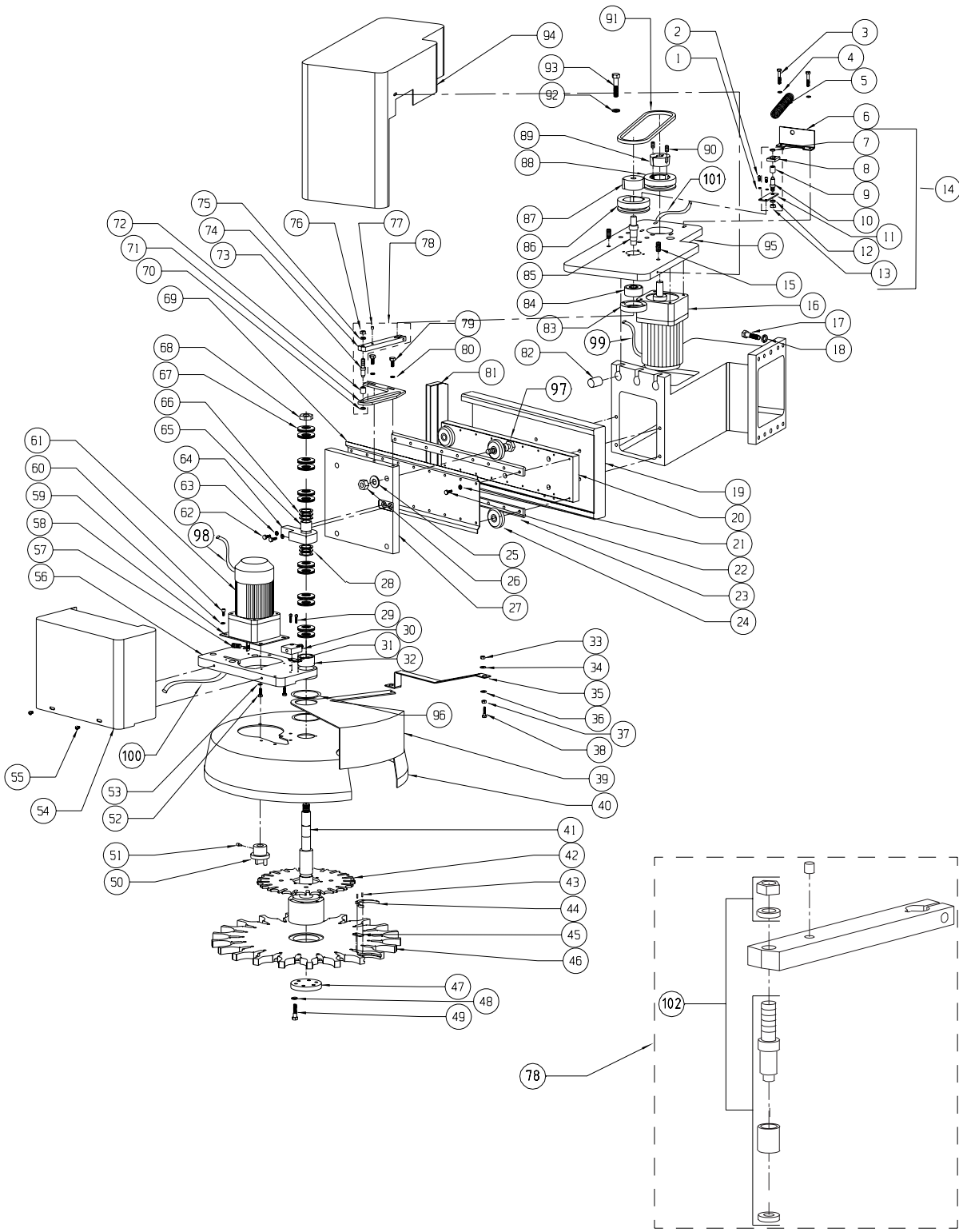
WAY LUBE ASSEMBLY



WAY LUBE ASSEMBLY

	PART #		PART #		PART #		PART #
1	LUB-0049	7	VLV-0028	13	LUB-0085	19	HDW-1039
2	LUB-0050	8	PLM-0022	14	LUB-0084		
3	PLM-0049	9	LUB-0041	15	LUB-0083		
4	REG-0018	10	LUB-0044	16	PLM-0084		
5	LUB-0036	11	CVR-0041	17	PLM-0036		
6	LUB-0051	12	LUB-0045	18	LUB-0038		

ATC GENEVA DRIVE ASSEMBLY

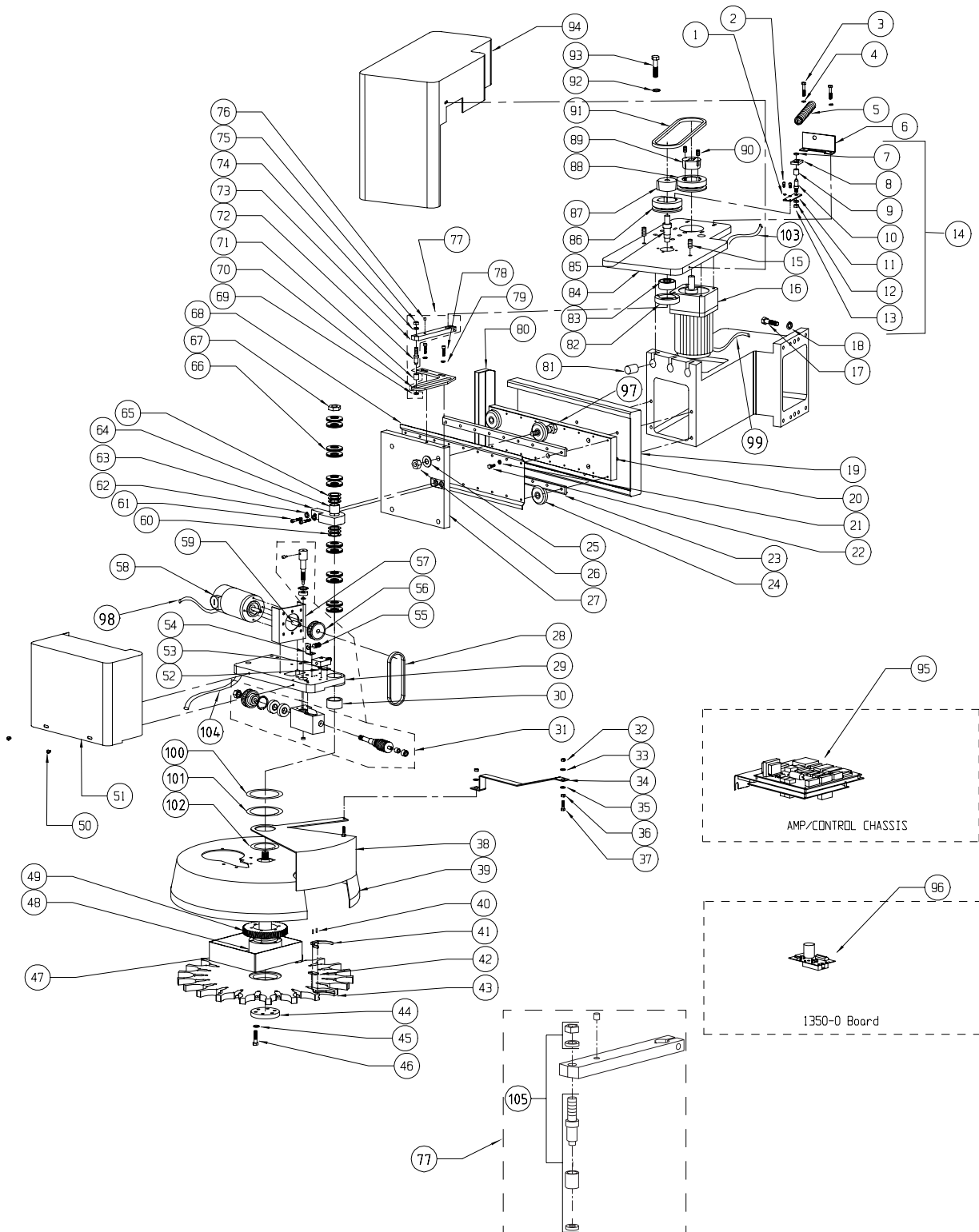


ATC GENEVA DRIVE ASSEMBLY

ATC GENEVA DRIVE ASSEMBLY

	PART #		PART #		PART #		PART #		PART #
1	HDW-0458	21	HDW-0279	41	ATC-0027	61	MTR-0134	81	STM-0063
2	HDW-0304	22	HDW-0322	42	ATC-0025 (21)	62	HDW-0317	82	ATC-0035
3	HDW-0582	23	BRG-0034		ATC-0026 (30)	63	HDW-0281	83	BLS-0040
4	HDW-0279	24	BRG-0033	43	HDW-0328	64	*	84	BRG-0006
5	HDW-0259	25	HDW-0051	44	ATC-0028 (CAT)	65	BRG-0011	85	ATC-0076
6	STM-0291	26	HDW-0634		ATC-0029 (BT)	66	BRG-0010	86	PUL-0029
7	HDW-0443	27	*	45	ATC-0032	67	HDW-0193	87	PUL-0031
8	ATC-0077	28	BRG-0009	46	ATC-0009 (21)	68	HDW-0637	88	PUL-0002
9	BRG-0013	29	HDW-0771		ATC-0010 (21BT)	69	STM-0062	89	PUL-0003
10	ATC-0078	30	ELE-0385		ATC-0011 (30)	70	HDW-0047	90	HDW-0400
11	STM-0290	31	STM-0615		ATC-0012 (30BT)	71	ATC-0017	91	BEL-0001
12	HDW-0454	32	BRG-0012	47	ATC-0031	72	BRG-0013	92	HDW-0451
13	HDW-0640	33	HDW-0643	48	HDW-0280	73	ATC-0021	93	HDW-0786
14	ATC-0013	34	HDW-0443	49	HDW-0313	74	ATC-0020	94	STM-0302
15	ELE-1202	35	STM-0119	50	ATC-0023	75	HDW-0280	95	ATC-0059
16	MTR-0133	36	HDW-0443	51	ELE-0786	76	HDW-0333	96	HDW-0357 .062
17	HDW-0310	37	HDW-0336	52	HDW-0583	77	ELE-0147		HDW-0358 .005
18	HDW-0451	38	HDW-0318	53	HDW-0279	78	ATC-0006		HDW-0359 .010
19	STM-0061	39	STM-0033 (30)	54	STM-0292	79	HDW-0575	97	ATC-0033
20	ATC-0030		STM-0031 (21)	55	HDW-0347	80	HDW-0387	98	WIR-0724
		40	STM-0032 (30)	56	*			99	WIR-0723
			STM-0030 (21)	57	ELE-0145			100	WIR-0648 ⁽¹⁾
				58	ATC-0074			101	WIR-0647 ⁽¹⁾
								102	ATC-0169
				59	HDW-0279			*	Sold as Assembly
				60	HDW-0319 (3)				ATC-0004 (21)

ATC SERVO DRIVE ASSEMBLY



ATC SERVO DRIVE ASSEMBLY

ATC SERVO DRIVE ASSEMBLY

	PART #		PART #		PART #		PART #		PART #
1	HDW-0458	21	HDW-0279	41	ATC-0029 (BT)	61	HDW-0317	86	PUL-0029
2	HDW-0304	22	HDW-0322		ATC-0028 (CAT)	62	HDW-0281	87	PUL-0031
3	HDW-0582	23	BRG-0034	42	ATC-0032	63	*	88	PUL-0002
4	HDW-0279	24	BRG-0033	43	ATC-0009 (21)	64	BRG-0011	89	PUL-0003
5	HDW-0259	25	HDW-0051		ATC-0010 (21BT)	65	BRG-0010	90	HDW-0400
6	STM-0291	26	HDW-0634		ATC-0011 (30)	66	HDW-0193	91	BEL-0001
7	HDW-0443	27	*		ATC-0012 (30)	67	HDW-0637	92	HDW-0451
8	ATC-0077	28	BEL-0018	44	ATC-0031	68	STM-0062	93	HDW-0789
9	BRG-0013	29	*	45	HDW-0280	69	HDW-0047	94	STM-0302
10	ATC-0078	30	BRG-0012	46	HDW-0313	70	ATC-0017	95	PCB-0108
11	STM-0290	31	ATC-0016	47	STM-0144 (21)	71	BRG-0013	96	PCB-0173
12	HDW-0454	32	HDW-0643		ATC-0091 (30)	72	ATC-0021	97	ATC-0033
13	HDW-0640	33	HDW-0443	48	ATC-0027	73	ATC-0020	98	WIR-0724
14	ATC-0013	34	STM-0019	49	ATC-0036 (21)	74	HDW-0280	99	WIR-0723
15	ELE-1202	35	HDW-0443		ATC-0037 (30)	75	HDW-0333	100	HDW-0357 .062
16	MTR-0133	36	HDW-0336	50	HDW-0347	76	ELE-0147	101	HDW-0358 .005
17	HDW-0310	37	HDW-0318	51	STM-0292	77	ATC-0006	102	HDW-0359 .010
18	HDW-0451	38	STM-0033 (30)	52	STM-0615	78	HDW-0575	103	WIR-0647
19	STM-0061		STM-0031 (21)	53	ELE-0385	79	HDW-0387	104	WIR-0649
20	ATC-0030	39	STM-0032 (30)	54	STM-0147	80	STM-0063	105	ATC-0169
			STM-0030 (21)	55	ELE-0145	81	ATC-0035		
		40	HDW-0328	56	PUL-0008	82	BLS-0040		
				57	ATC-0088	83	BRG-0006		
				58	MTR-0144	84	ATC-0058 (21)	*	Sold as Assembly
				59	OBSOLETE		ATC-0059 (30)		ATC-0056 (21)
				60	BRG-0009	85	ATC-0076		ATC-0055 (30)

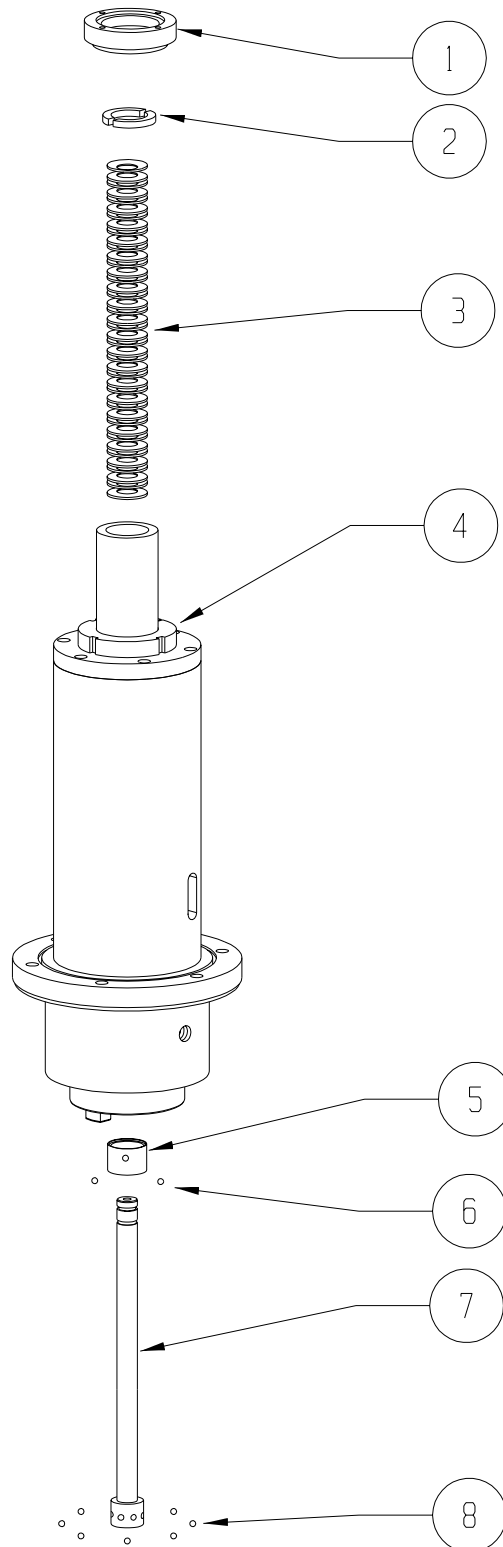
7500 RPM SPINDLE ASSEMBLY

7500 RPM SPINDLE ASSEMBLY

	PART #
1	SPN-0079
2	DRB-0019
3	HDW-0195
4	SPN-0084
5	DRB-0004
6	BRG-0005
7	DRB-0028 ⁽¹⁾
8	BRG-0005
ASSY SPN-0037 ⁽²⁾	

¹Not sold individually. Sold as assembly DRB-0030 (includes DRB-0028 and SPN-0079)

²Assembly includes all parts listed on this page plus PUL-0025



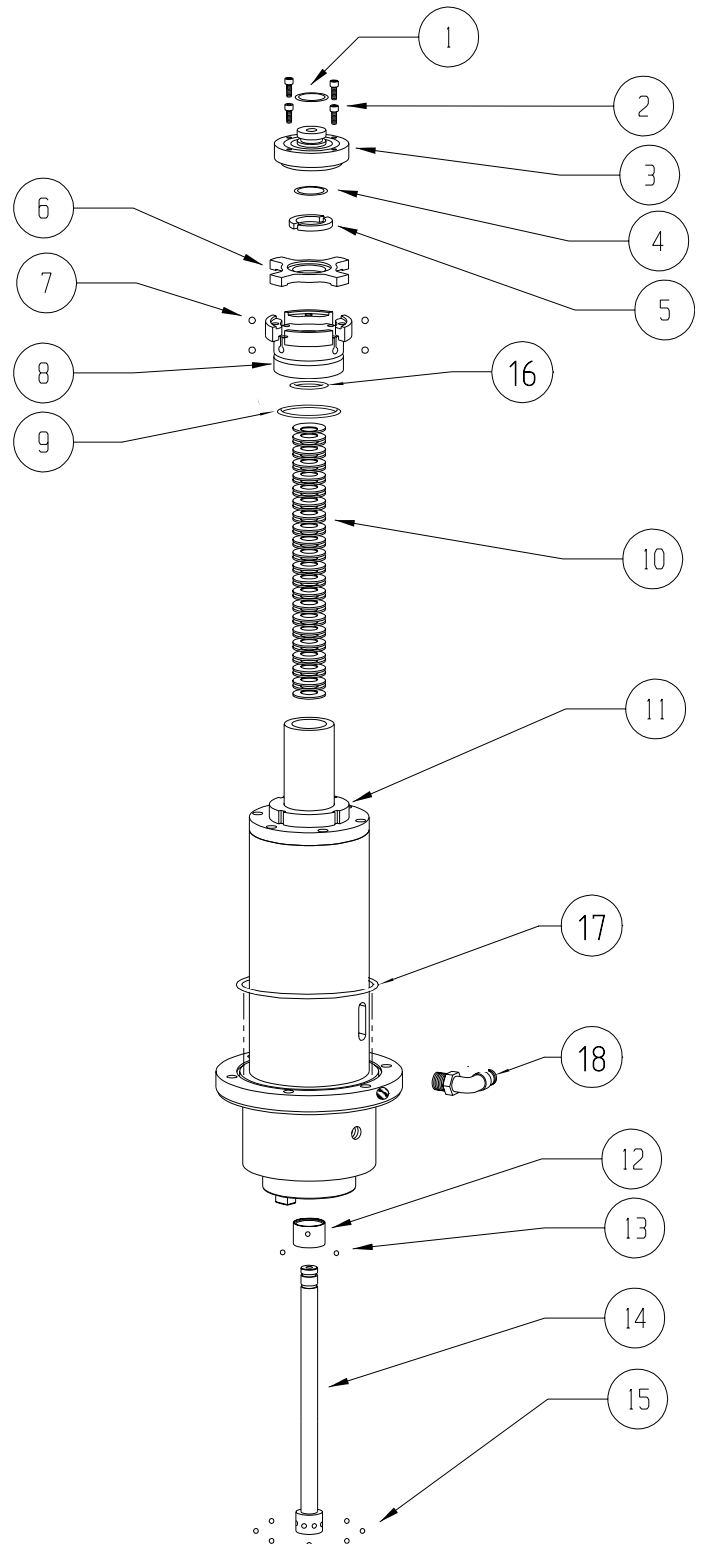
10K RPM SPINDLE ASSEMBLY

10,000 RPM SPINDLE ASSEMBLY

	PART #
1	HDW-0177
2	HDW-0307
3	DRB-0015
4	HDW-0180
5	DRB-0019
6	DRB-0014
7	BRG-0004
8	DRB-0016
9	HDW-0158
10	HDW-0195
11	SPN-0084
12	DRB-0004
13	BRG-0005
14	DRB-0026 ⁽¹⁾
15	BRG-0005
16	HDW-0155
17	HDW-0181
18	PLM-0034
ASSY SPN-0007 ⁽²⁾	

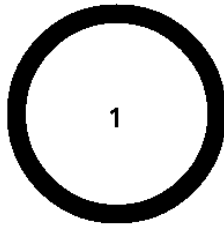
¹Not sold separately. Sold with assembly DRB-0003 (includes pieces 1-9, 14 & 15).

²Assembly includes all parts listed on this page plus PUL-0020.



COOLANT THROUGH SPINDLE

CNT-0015, Coolant-thru Seal Conversion Kit
 CNT-0150, Seal Repair Kit



HDW-0158



HDW-0177



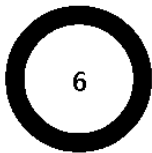
HDW-0150



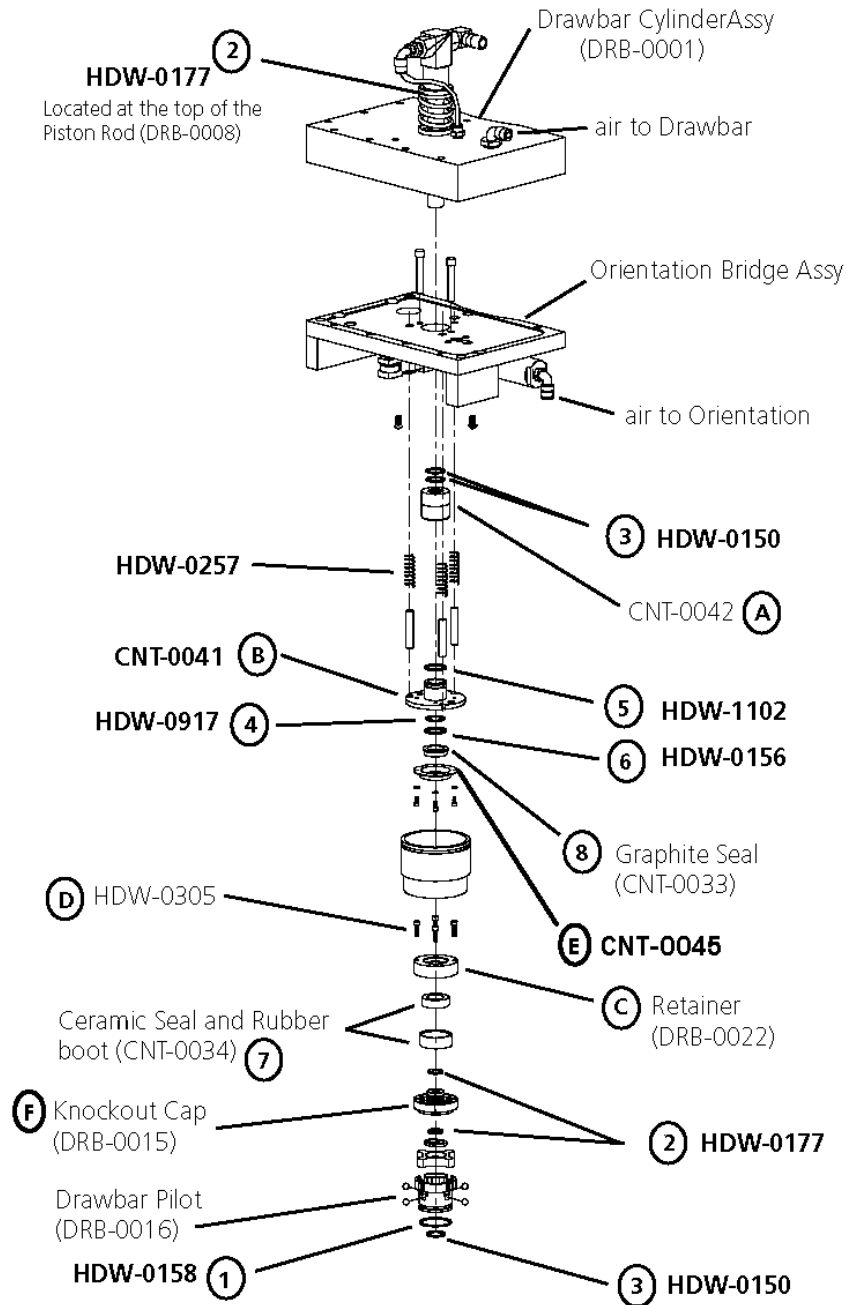
HDW-0917



HDW-1102

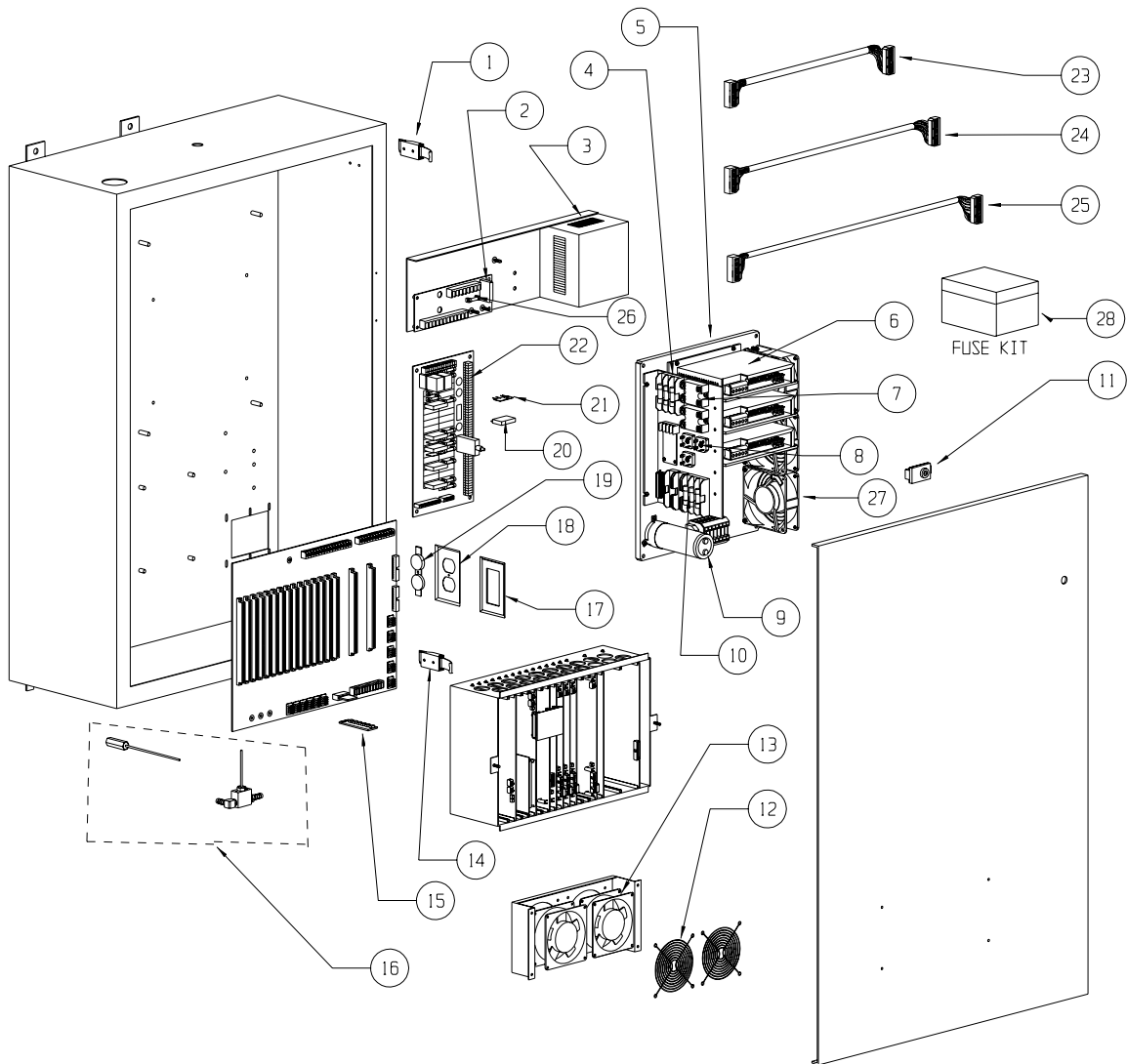


HDW-0156



CNT-0150 O-RINGS AND SEALS ONLY (1-8)
 CNT-0015 FOR CONVERTING OLDER MODELS (1-8
 AND A-F)

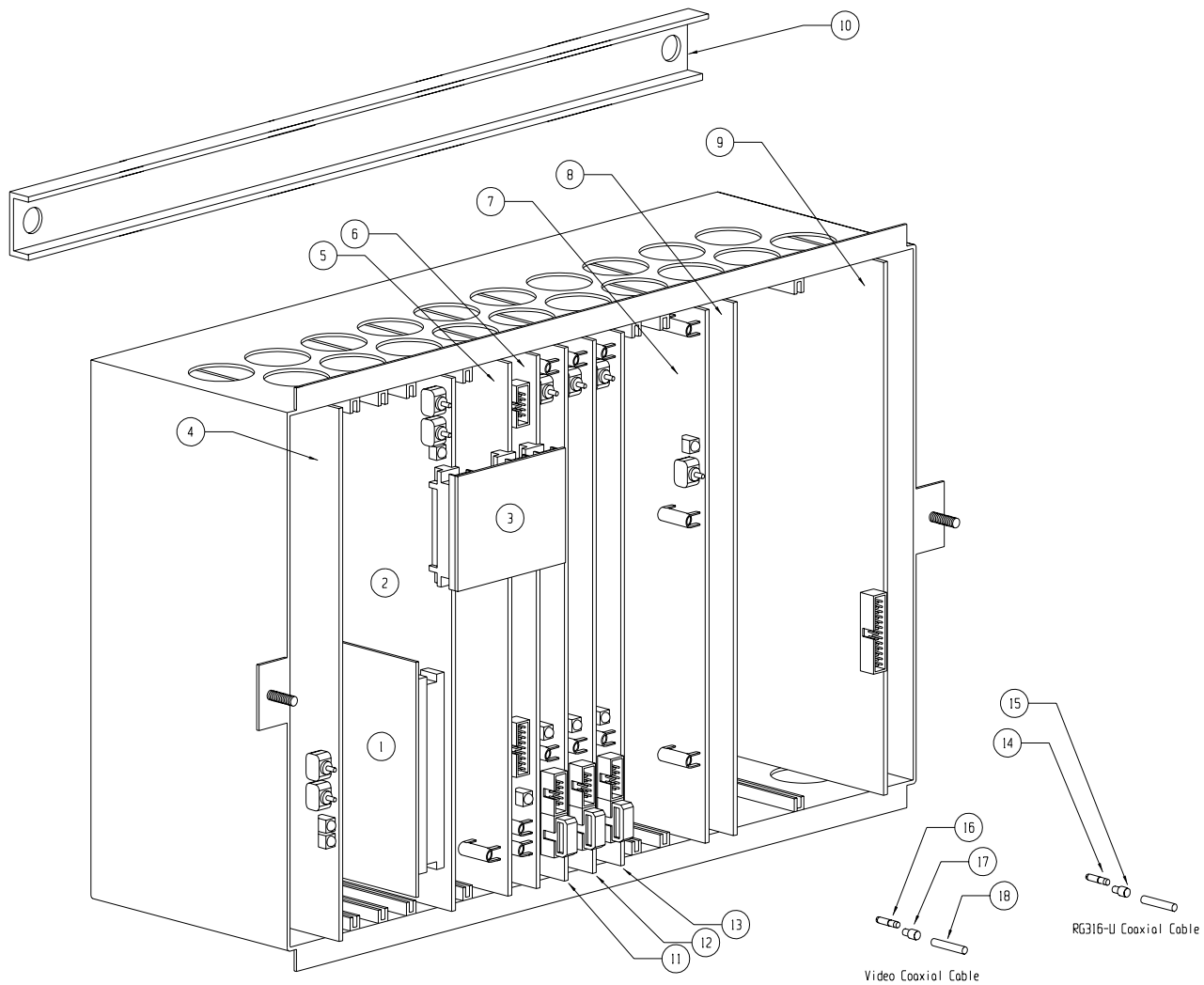
CNC CABINET ASSEMBLY



CNC CABINET ASSEMBLY

	PART #		PART #		PART #		PART #
1	HDW-0220	8	ELE-0034	15	PCB-0010	22	PCB-0014
2	ELE-0071	9	AMP-0036	16	CNT-0022	23	WIR-0161
3	ELE-0172	10	ELE-0840	17	WIR-0120	24	WIR-0163
4	ELE-0837	11	HDW-0221	18	WIR-0117	25	WIR-0174
5	AMP-0028	12	HDW-0850	19	WIR-0121	26	ELE-0046
6	AMP-0029 (GTK)	13	ELE-0123	20	ELE-0070	27	ELE-0123
	AMP-0034 (AMC)						
7	ELE-0074	14	HDW-0217	21	ELE-0101	28	ELE-0106

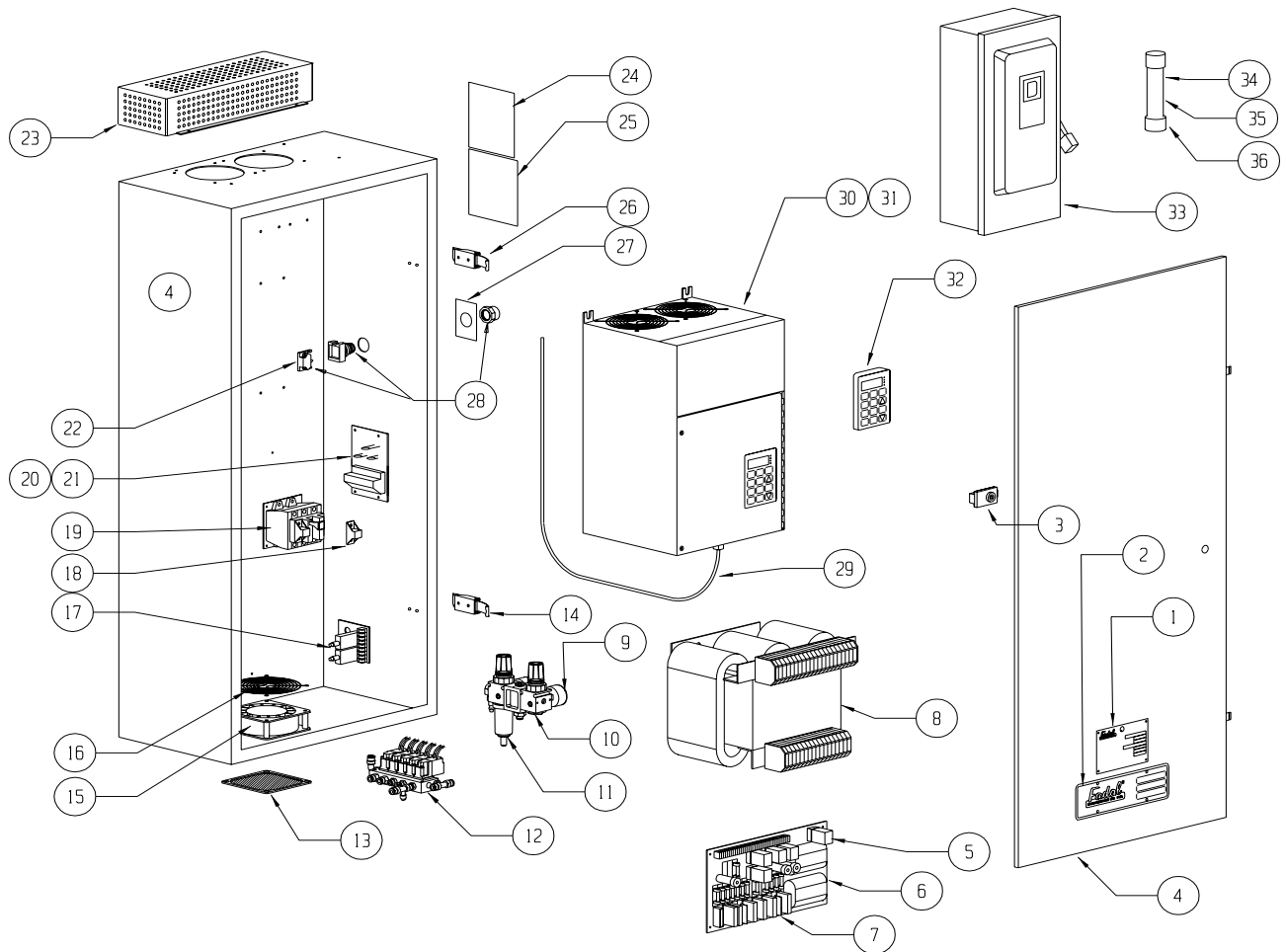
CARD CAGE ASSEMBLY



	PART #		PART #
1	PCB-0094	8	PCB-0000
2	PCB-0030	9	PCB-0005
3	PCB-0053	10	STM-0029
4	PCB-0045	11	WIR-0040
5	PCB-0032 (88HS)	12	WIR-0041
	PCB-0033 (32HS)	13	WIR-0038
6	PCB-0003	14	WIR-0039
7	PCB-0141	15	WIR-0086

SLOT	BOARD #	SLOT	BOARD #
1	PCB-0045	10	PCB-0037
2		11	PCB-
3		12	
4		13	
5	PCB-0030	14	PCB-0141
6		15	PCB-0000
7		16	PCB-0008
8	PCB-0003	17	PCB-0005
9	PCB-0037		

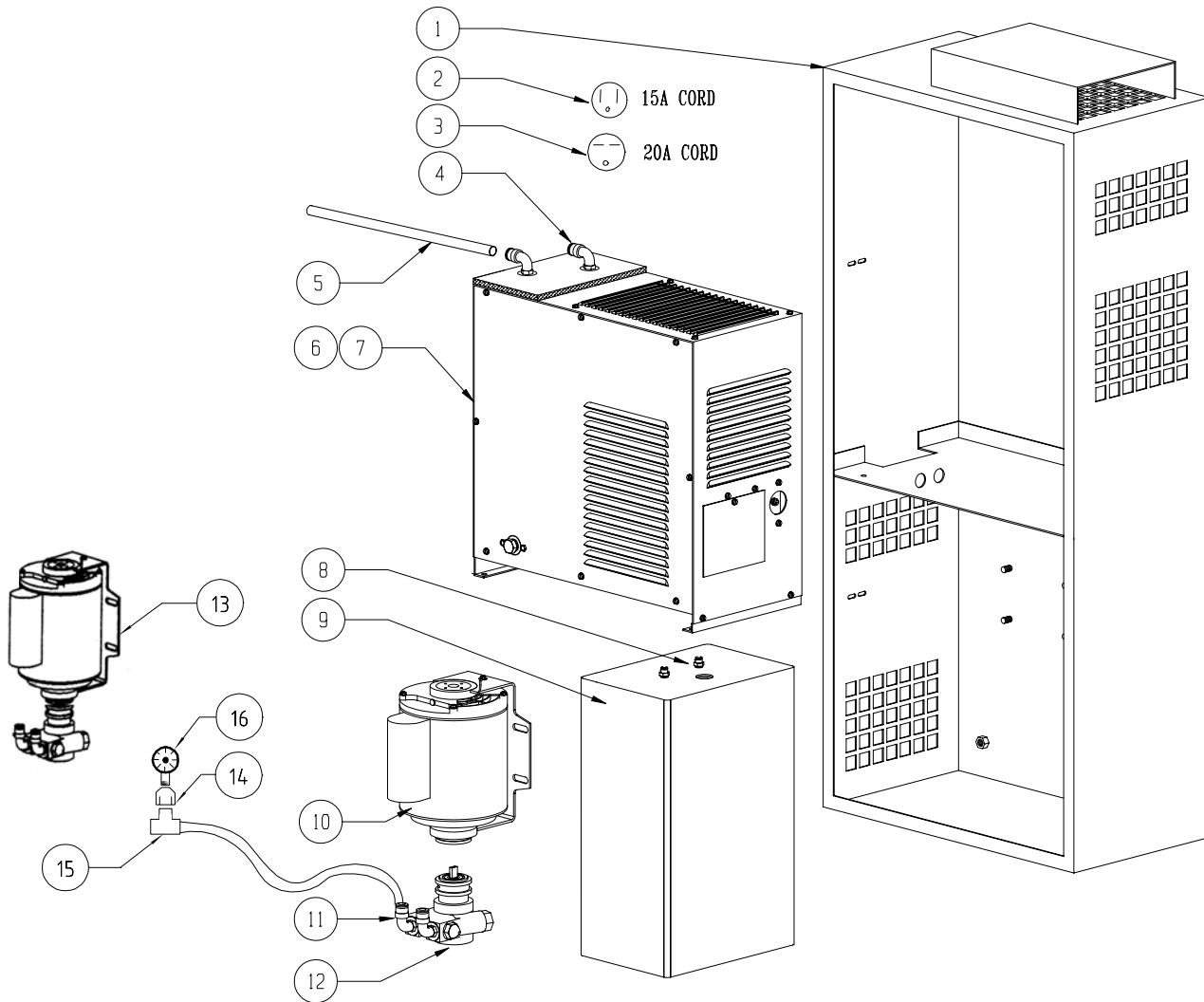
POWER JUNCTION CABINET ASSEMBLY



POWER JUNCTION CABINET ASSEMBLY

	PART #		PART #		PART #		PART #		PART #
1	LBL-0030	12	VLV-0054	22	ELE-0093	31	INV-0056	36	ELE-0060
	LBL-0031 (HT)	13	HDW-0	23	INV-0004		(AMC)		20A 480V
2	LBL-0106	14	HDW-			32	INV-0017		
3	HDW-221	15	ELE-0123	24	LBL-0037	33	ELE-0139		
4	STM-0450	16	HDW-	25	LBL-0040		(60 AMP)		
5	ELE-0072	17	PCB-0046	26	HDW-0219		ELE-0140		
6	PCB-0015	18	ELE-0138	27	LBL-0038		(30 AMP)		
7	ELE-0070	19	ELE-0132	28	ELE-0110	34	ELE-0063		
8	ELE-0200	20	PCB-0145	29	WIR-0166		45A 240V		
9	REG-0005		(240 VAC)	30	INV-0020 (HT)	35	ELE-0062		
10	REG-0009	21	PCB-0146		INV-0041		30A 380V		
11	REG-0008		(500 VAC)		(BALDOR)				

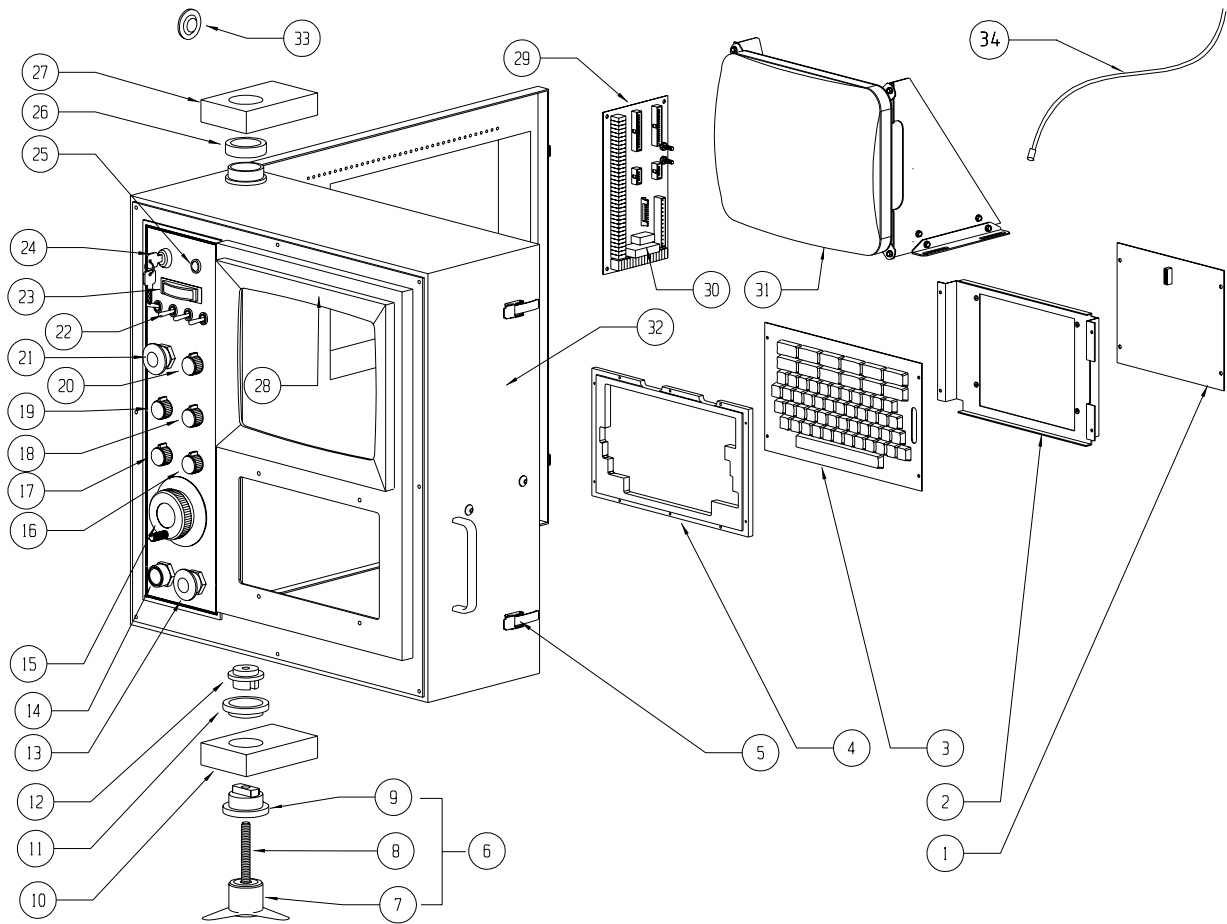
CHILLER CABINET ASSEMBLY



CHILLER CABINET ASSEMBLY

	PART #		PART #
1	STM-0125	9	CNT-0047
2	WIR-0433	10	PMP-0029
3	WIR-0434	11	PLM-0042
4	PLM-0042	12	PMP-0000
5	PLM-0024	13	PMP-0034
6	CNT-0035 (15A)	14	PLM-0199
7	CNT-0144 (20A)	15	PLM-0166
8	PLM-0210	16	REG-0017

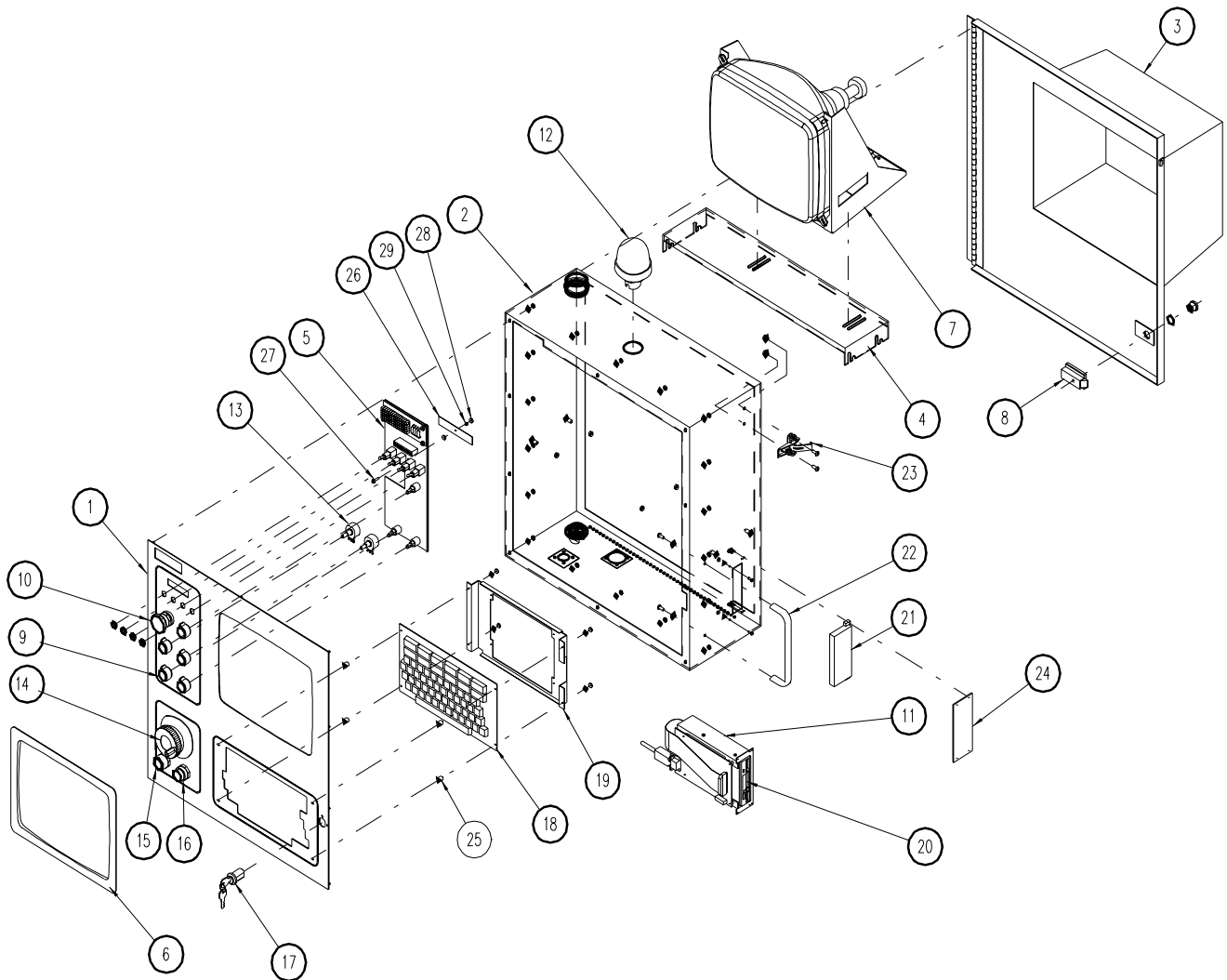
88HS PENDANT ASSEMBLY



88HS PENDANT ASSEMBLY

	PART #		PART #		PART #		PART #
1	PCB-0012	10	CTR-0009	19	ELE-0067	28	HDW-0847
2	STM-0128	11	BRG-0077	20	ELE-0078	29	PCB-0019
3	ELE-0083	12	CTR-0007	21	ELE-0112	30	ELE-0070
4	CTR-0009	13	ELE-0111	22	ELE-0095	31	ELE-0189
5	HDW-0216	14	ELE-0110	23	ELE-0108	32	CTR-0021
6	CTR-0022	15	MPG-0007	24	ELE-0096	33	HDW-0185
7	HDW-0675		MPG-0018	25	ELE-0090	34	WIR-0086
8	CTR-0018	16	ELE-0078	26	HDW-0724		
9	CTR-0008	17	ELE-0081	27	CTR-0006		
		18	ELE-0068				

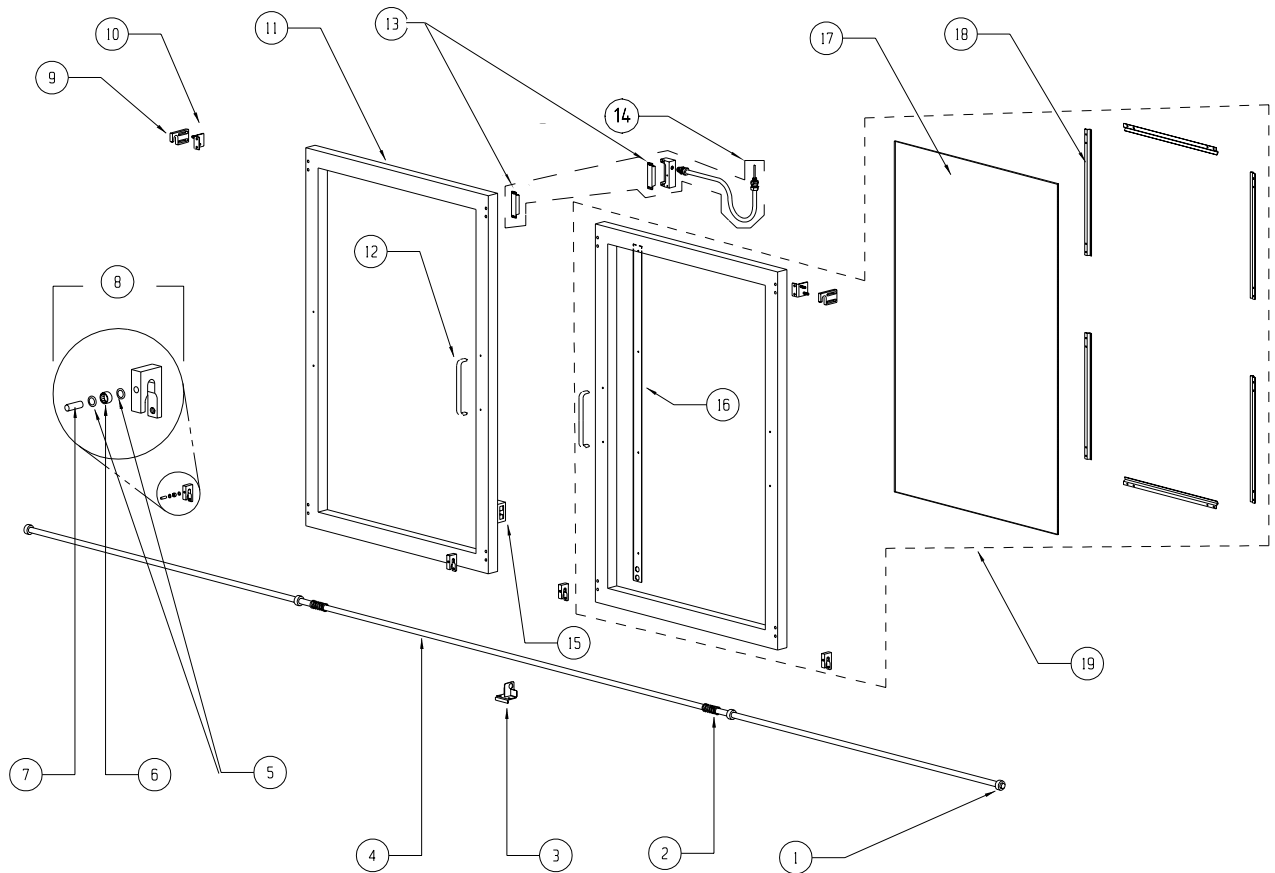
MULTI PROCESSOR PENDANT



MULTI PROCESSOR PENDANT

	PART #		PART #		PART #		PART #
1	CTR-0134		ELE-0888	15	ELE-0093	24	STM-0547
2	STM-0945 20F4		ELE-0889	16	ELE-0091	25	HDW-1083
3	STM-0945 30F4	8	HDW-0221	17	ELE-0096	26	ELE-1184
4	STM-0951	9	HDW-0671	18	ELE-0083	27	HDW-1082
5	PCB-0200	10	ELE-0673	19	STM-0128	28	HDW-1081
6	CTR-0118	11	STM-0470	20	ELE-0913	29	HDW-0456
	CTR-0136	12	ELE-0969	21	CTR-0014		
	CTR-0135	13	ELE-0380	22	HDW-0182		
7	ELE-1072 10F3	14	MPG-0020	23	HDW-0925		

FRONT DOOR ASSEMBLY



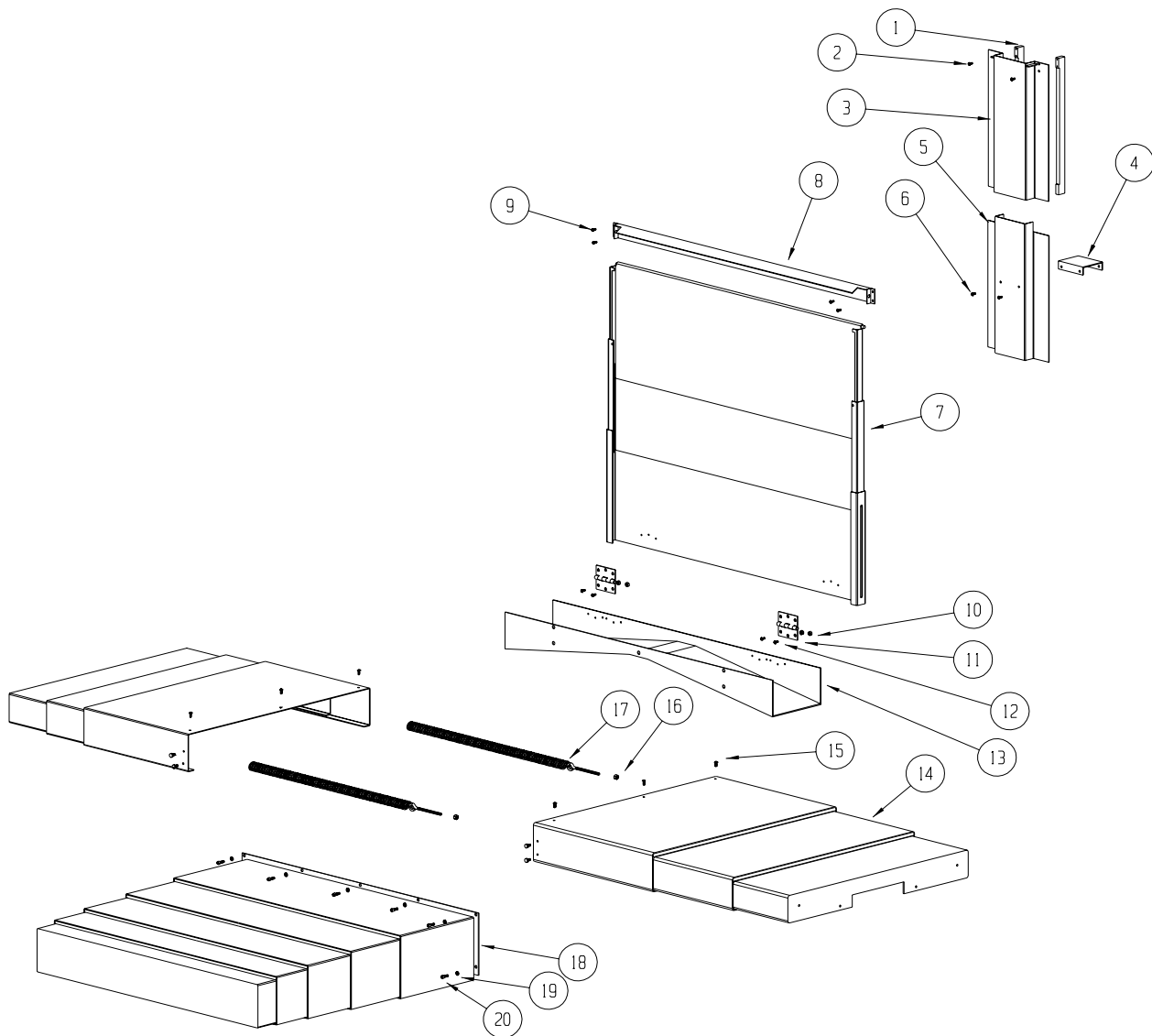
FRONT DOOR ASSEMBLY

	PART #		PART #		PART #
1	HDW-0215	8	DOR-0016	15	DOR-0035
2	HDW-0264	9	DOR-0001	16	STM-0083
3	DOR-0019	10	DOR-0000	17	DOR-0006
4	DOR-0053	11	DOR-0002	18	STM-0084
5	HDW-0149	12	HDW-0182	19	DOR-0027
6	BRG-0014	13	ELE-0810 ⁽¹⁾		
7	HDW-0327	14	WIR-0069 ⁽²⁾		

¹Set of two sensors

²Includes set of two sensors and one block cable

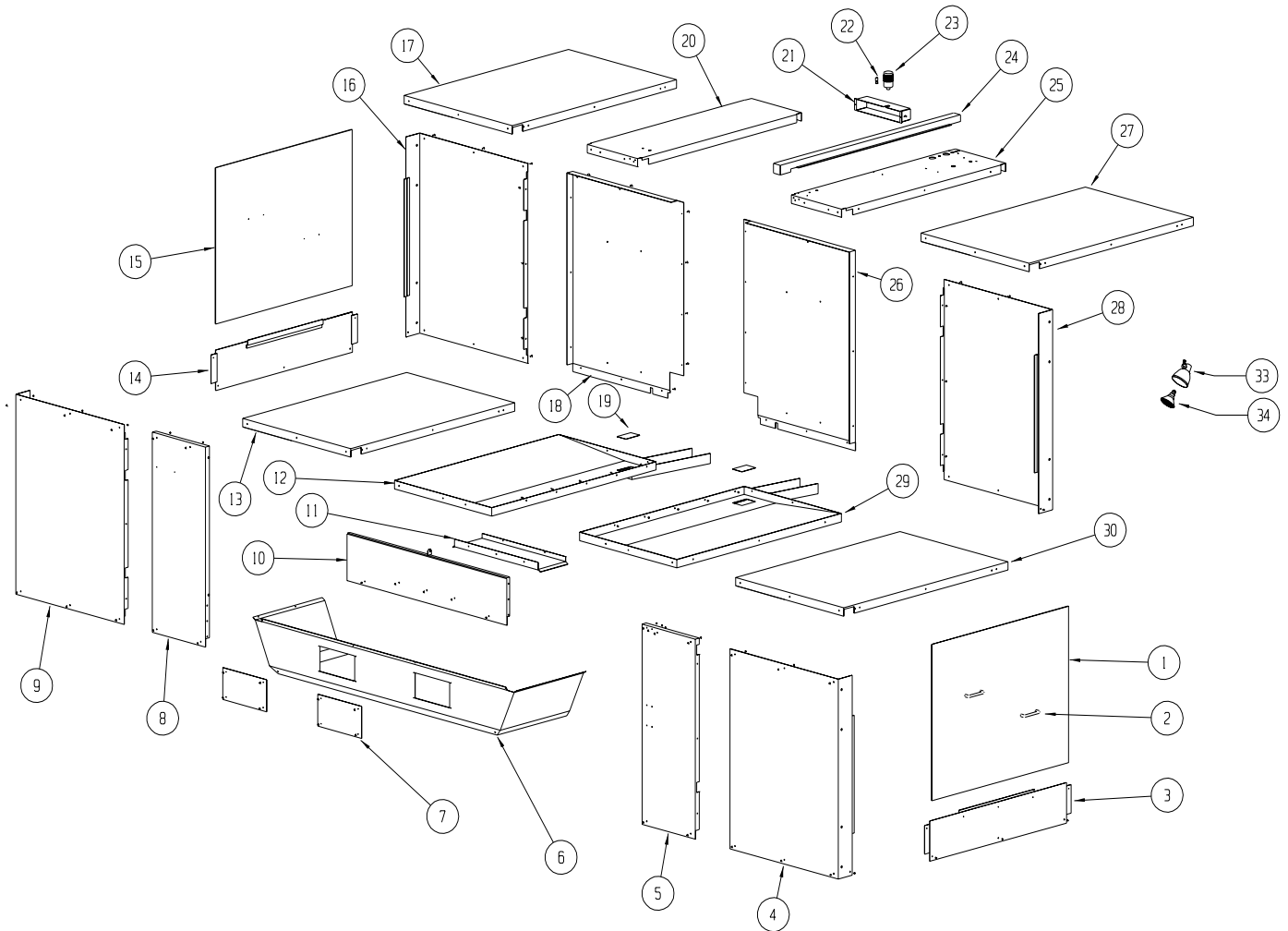
WAY COVER ASSEMBLY



WAY COVER ASSEMBLY

	PART #		PART #		PART #
1	STM-0168	8	STM-0165	15	HDW-0346
2	HDW-0346	9	HDW-0346	16	HDW-0336
3	CVR-0046	10	HDW-0338	17	HDW-0261
4	CVR-0047	11	HDW-0192	18	CVR-0055
5	CVR-0045	12	HDW-0348	19	HDW-0279
6	HDW-0346	13	STM-0054	20	HDW-0295
7	CVR-0049	14	CVR-0050	21	HDW-0319

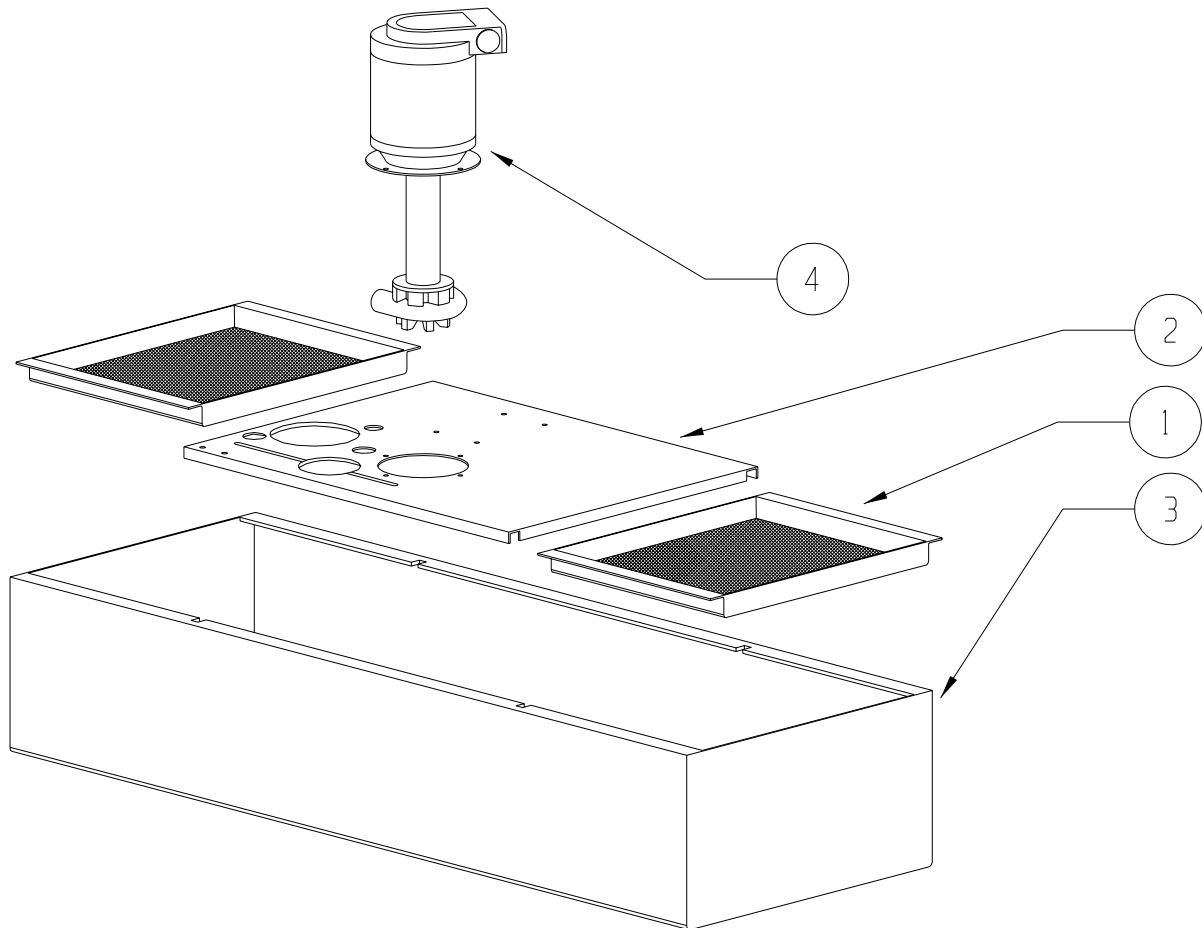
SHEETMETAL HOUSING



SHEETMETAL HOUSING

	PART #		PART #		PART #		PART #
1	STM-0298	11	STM-0109	21	STM-0091	31	HDW-0907
2	HDW-0182	12	STM-0313	22	ELE-0122	32	HDW-0853
3	STM-0245	13	STM-0418	23	ELE-0121	33	WIR-0114
4	STM-0169	14	STM-0245	24	STM-0774	34	ELE-0176
5	STM-0249	15	STM-0298	25	STM-0268		
6	STM-0239	16	STM-0169	26	STM-0316		
7	STM-0238	17	STM-0416	27	STM-0416		
8	STM-0248	18	STM-0314	28	STM-0169		
9	STM-0169	19	STM-0110	29	STM-0315		
10	STM-0080	20	STM-0252	30	STM-0418		

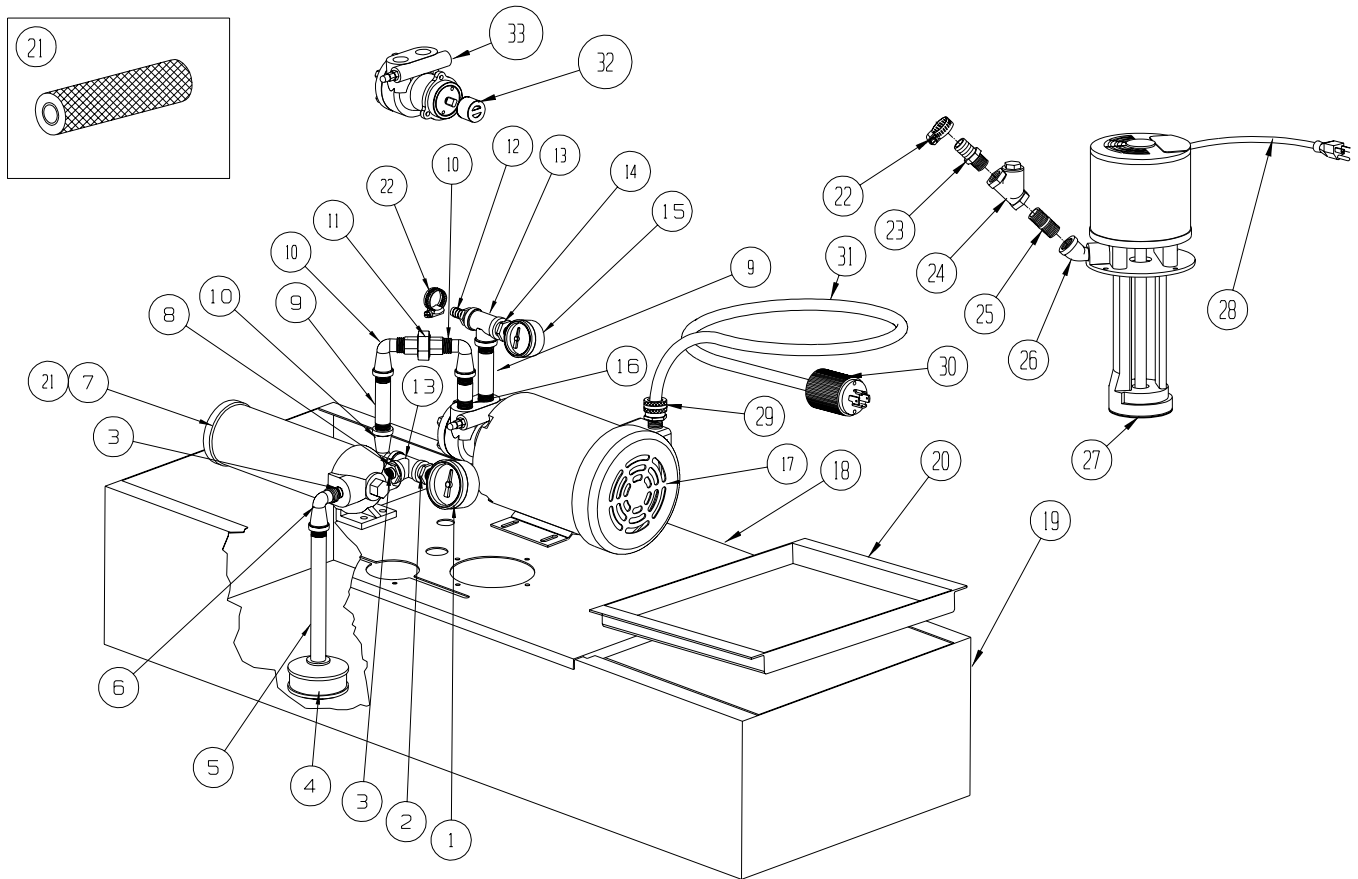
7500 RPM COOLANT TANK



7500 RPM COOLANT TANK

	PART #
1	STM-0116
2	STM-0594
3	STM-0287
4	PMP-0017

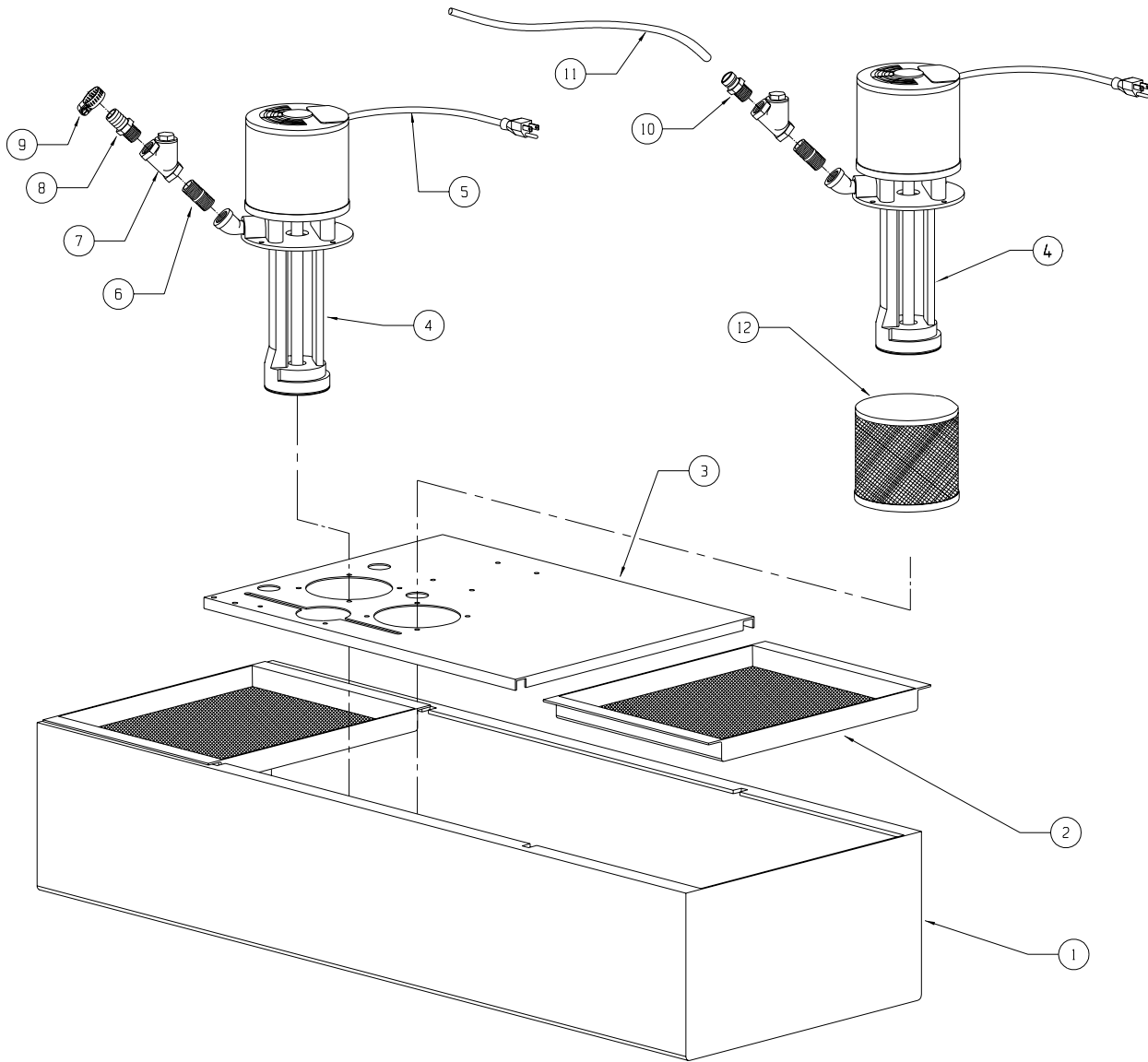
7500 RPM COOLANT THROUGH TANK



7500 RPM COOLANT THROUGH TANK ASSEMBLY

	PART #		PART #		PART #		PART #
1	REG-0034	11	PLM-0212	21	CNT-0029 ⁽¹⁾	31	WIR-0536
2	PLM-0216	12	PLM-0104	22	HDW-0252	32	PMP-0019
3	PLM-0117	13	PLM-0089	23	PLM-0067	33	PMP-0007
4	CNT-0025	14	PLM-0217	24	VLV-0018		
5	PLM-0213	15	REG-0018	25	PLM-0092		
6	PLM-0100	16	PLM-0060	26	PLM-0099		
7	CNT-0027 ⁽¹⁾	17	PMP-0008	27	PMP-0017		
8	HDW-0391	18	STM-0594	28	WIR-0096		
9	PLM-0061	19	STM-0287	29	WIR-0517		
10	PLM-0215	20	STM-0116	30	WIR-0535		

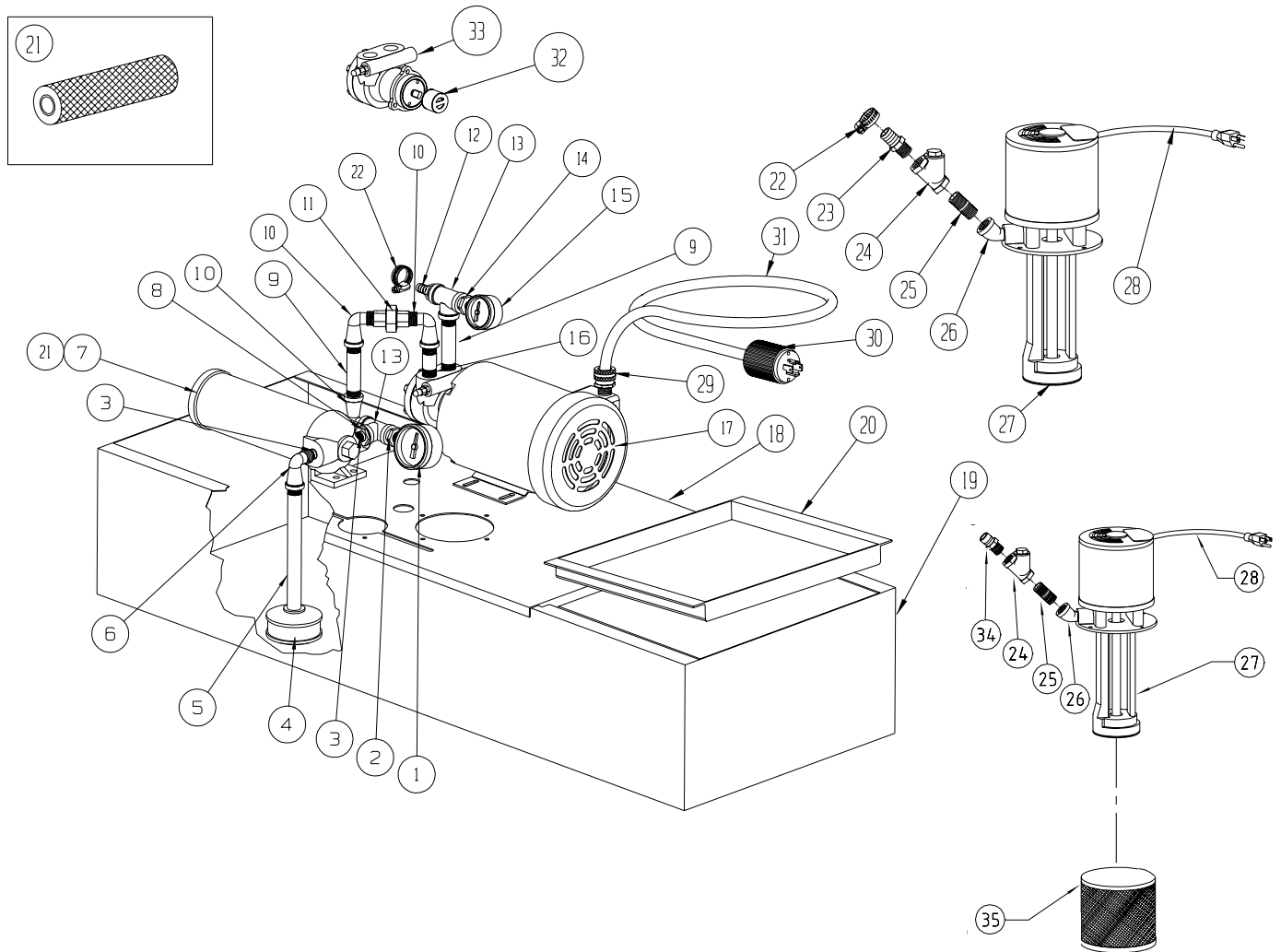
10K RPM COOLANT TANK



10,000 RPM COOLANT TANK

	PART #		PART #		PART #
1	STM-0287	5	WIR-0096	9	HDW-0252
2	STM-0116	6	PLM-0092	10	PLM-0043
3	STM-0594	7	VLV-0018	11	PLM-0023
4	PMP-0017	8	PLM-0067	12	CNT-0026

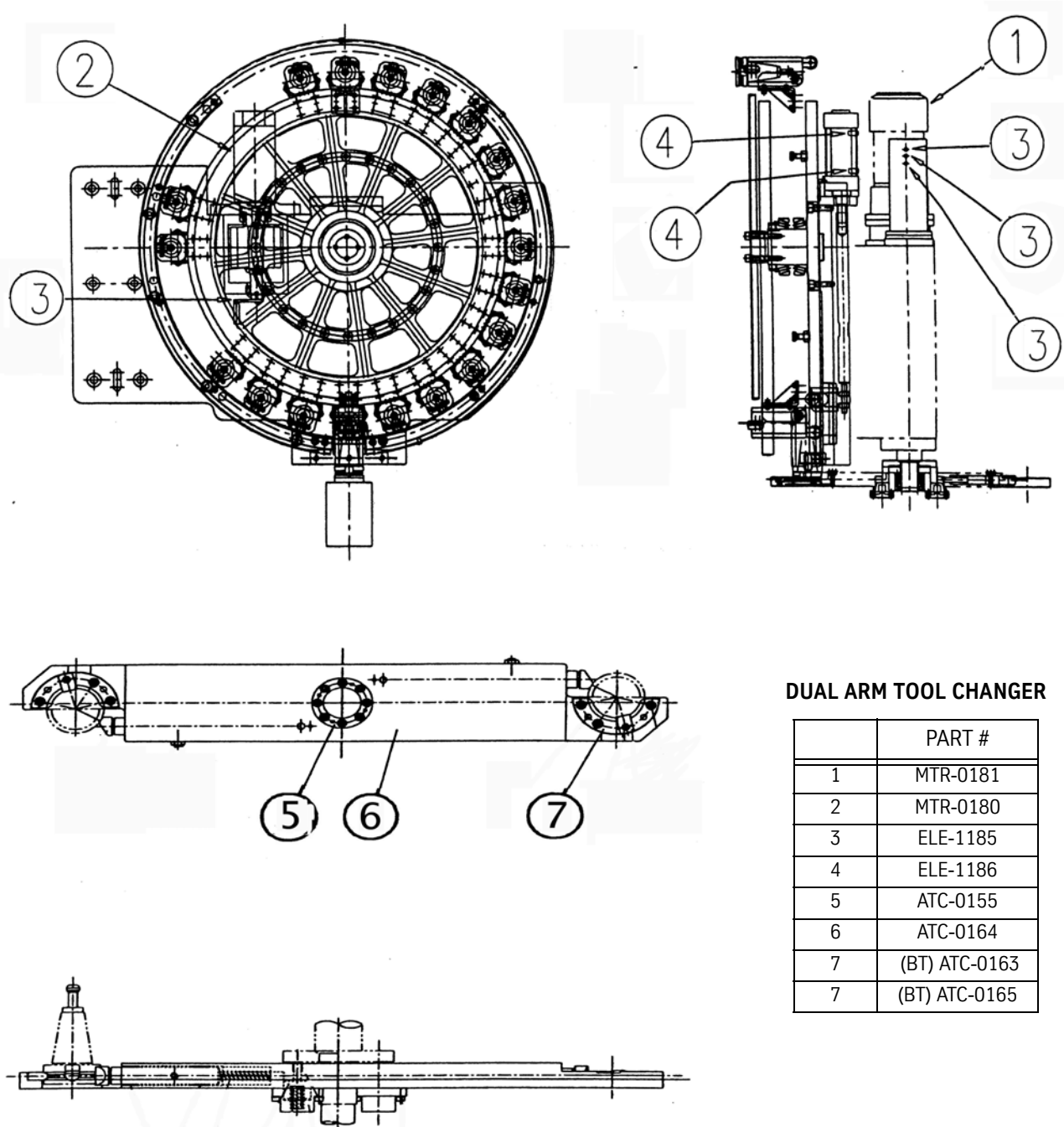
10K RPM COOLANT THROUGH TANK



10,000 RPM COOLANT THROUGH TANK ASSEMBLY

	PART #		PART #		PART #		PART #		PART #
1	REG-0034	9	PLM-0061	17	PMP-0008	25	PLM-0092	33	PMP-0007
2	PLM-0216	10	PLM-0215	18	STM-0594	26	PLM-0099	34	PLM-0043
3	STM-0594	11	PLM-0212	19	STM-0287	27	PMP-0017	35	CNT-0026
4	CNT-0025	12	PLM-0104	20	STM-0116	28	WIR-0096		
5	PLM-0213	13	PLM-0089	21	CNT-0029 ⁽¹⁾	29	WIR-0517		
6	PLM-0100	14	PLM-0217	22	HDW-0252	30	WIR-0535		
7	CNT-0027 ⁽¹⁾	15	REG-0018	23	PLM-0067	31	WIR-0536		
8	HDW-0391	16	PLM-0060	24	VLV-0018	32	PMP-0019		

DUAL ARM TOOL CHANGER



DUAL ARM TOOL CHANGER

	PART #
1	MTR-0181
2	MTR-0180
3	ELE-1185
4	ELE-1186
5	ATC-0155
6	ATC-0164
7	(BT) ATC-0163
7	(BT) ATC-0165